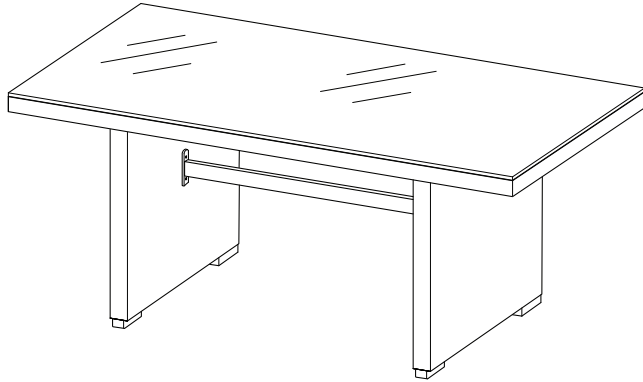


Assembly Instructions



Before assembly

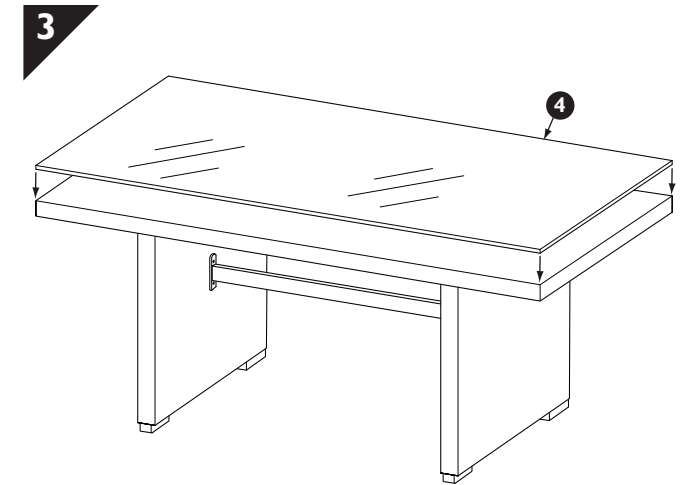
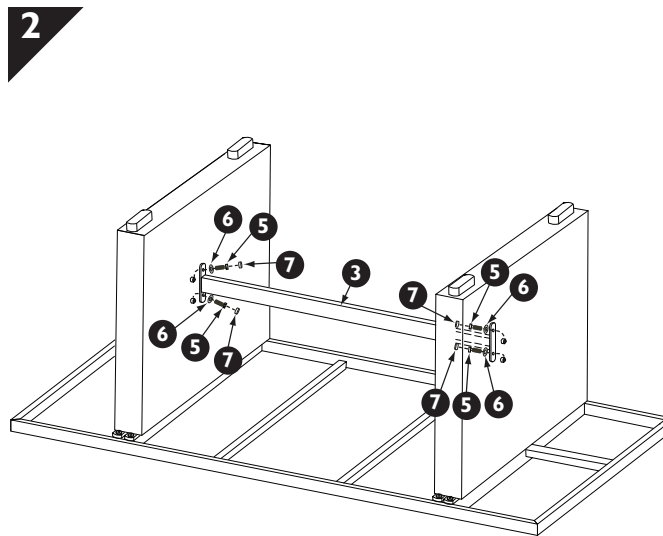
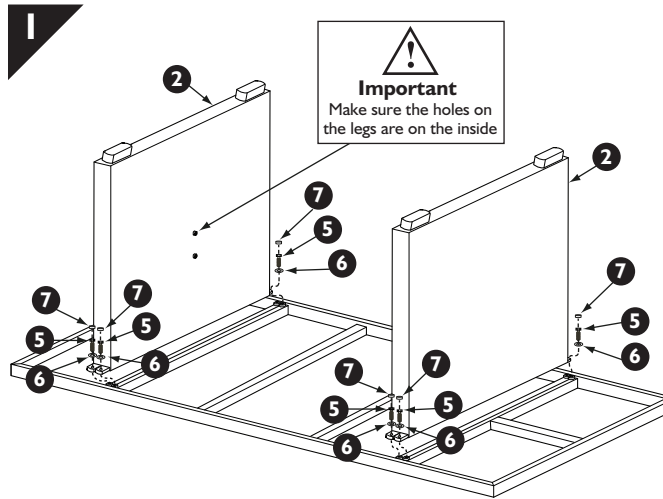
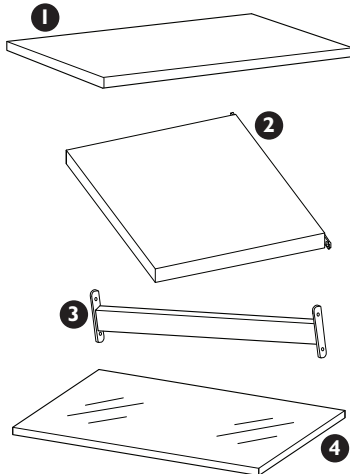
- We recommend that time is taken to read the instructions before starting assembly, then follow the easy step by step guide. The instruction sheet is only a guide to the assembly. Certain items may not be shown to scale.
- Check all components prior to assembly
- Never attempt to erect the assembly in high winds.

Recommended tools for assembly

- Allen key supplied in kit

No.	Components	Qty.
1	Table top	1
2	Table leg	2
3	Leg supports	1
4	Glass top	1

No.	Fixings	Qty.
5	15mm (M6) bolt	12
6	Washer (M6)	12
7	Plastic cap	12
8	Allen key	1



**IMPORTANT: RETAIN FOR FUTURE REFERENCE
READ CAREFULLY**
Periodically check all fastenings for tightness
For domestic use only

We constantly improve the quality of our products, occasionally the components may differ from the components shown and are only correct at time of printing. We reserve the right to change the specification of our products without prior notice.