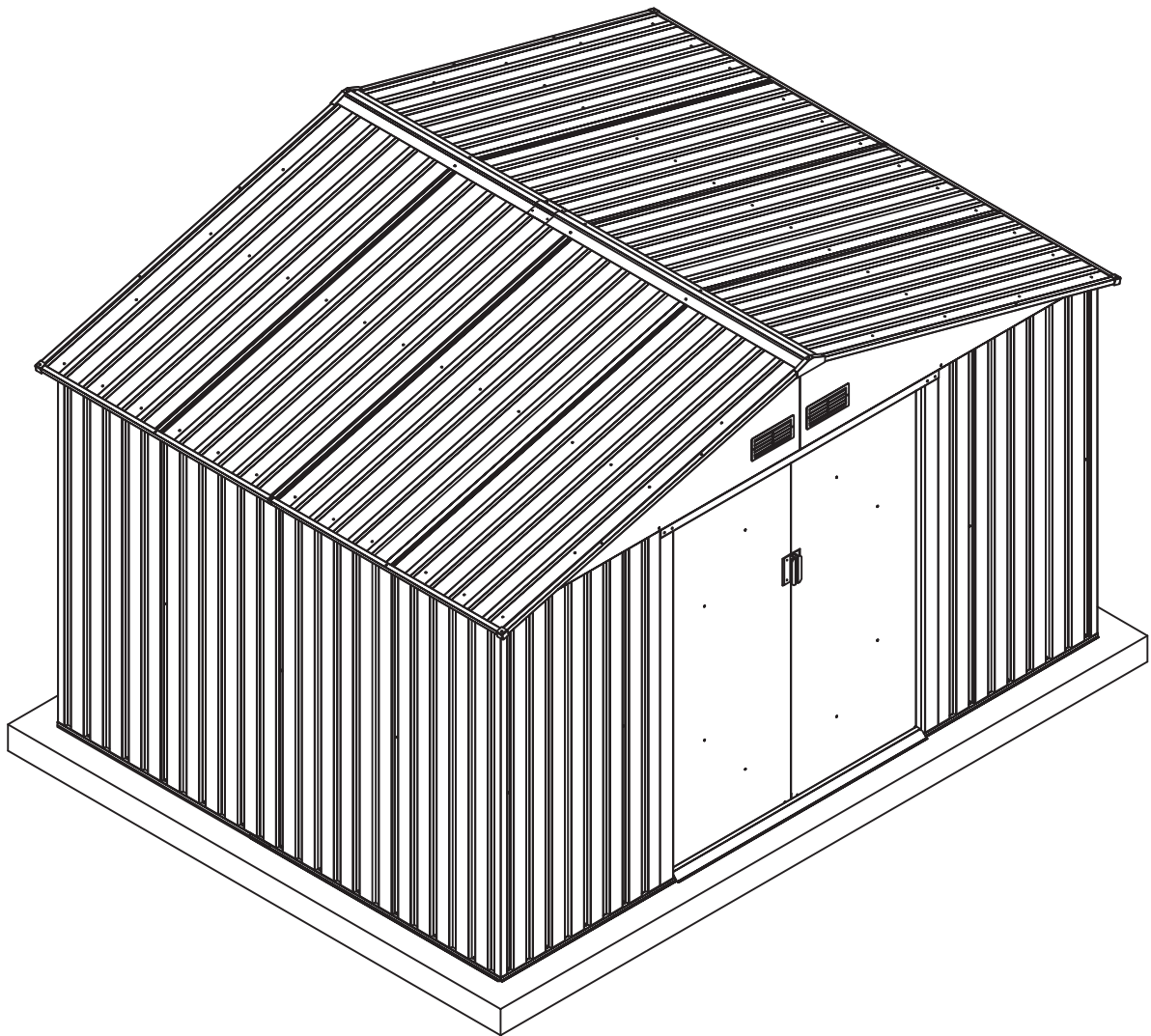


Trentvale 10x8 Apex Metal Shed

ASSEMBLY INSTRUCTIONS

Light Grey: SS537

Dark Grey: SS538



S1001F

Requires two people and takes 3-4 hours for Installation.

Assembly Preparation

Owner's Manual

Please check local building codes regarding footings, location and other requirements before beginning construction.

Assembly instructions:

Reviewing all instructions and the appropriate information before you begin, make sure following the step sequence carefully for successful results.

Flooring base:

A good location for the storage building is a square and level area with good drainage. The base is not included in the kit which may need purchase separately or may construct a foundation and anchoring system of your own.

A strong plastic sheet (thickness: at least 150µm) should be placed under the foundation to assist in reducing rising dampness from the soil, thus reducing condensation build up in the shed. Your storage building must be anchored to prevent wind damage. Once secured, it is highly recommended applying silicone along the inside of the base rail to minimize condensation.

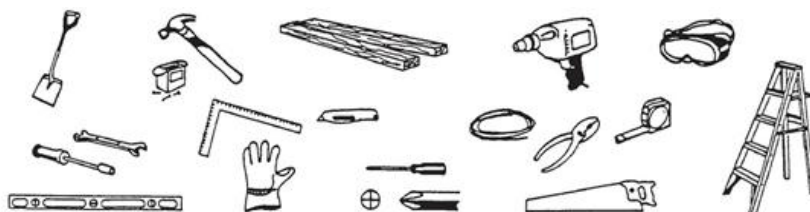
Parts and Parts List:

Before you start, separate and identify all the parts and hardware to be sure that you have all the necessary parts for your building (refer to the Parts List Page).

If you find that a part is missing, please notify the seller within one week after receiving the product. Do not attempt to assemble the building if parts are missing because any building left partially assembled may be seriously damaged by light winds.

Tools you need:

(Please tear off the safety protection layer before the assembly, keep the part number label if needed)



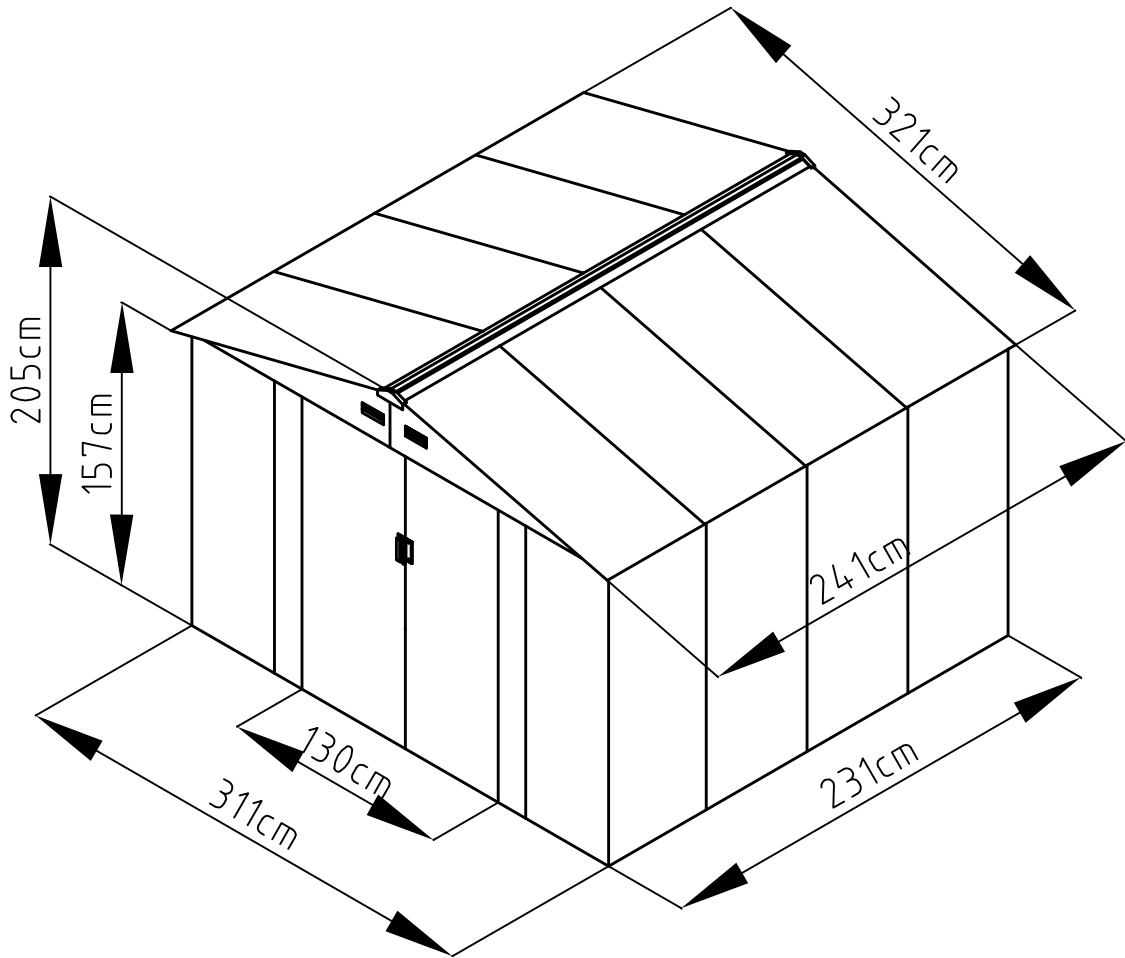
Safety must be put in the No. 1 position:

1. Select a dry and calm day for your assembly. Team works (Two or more people) are required during the assembly. It is also recommended to finish the assembly in a day to avoid damage to the product or missing of some small parts.
2. Wearing safety gloves, eye protection and long sleeves during the assembly to prevent injury. Pay attention to the sharp edge of some parts.
3. Children and pets are not allowed entering into the construction site.
4. Never concentrate your total weight on the roof of the building. When using a step ladder make sure that it is safe.

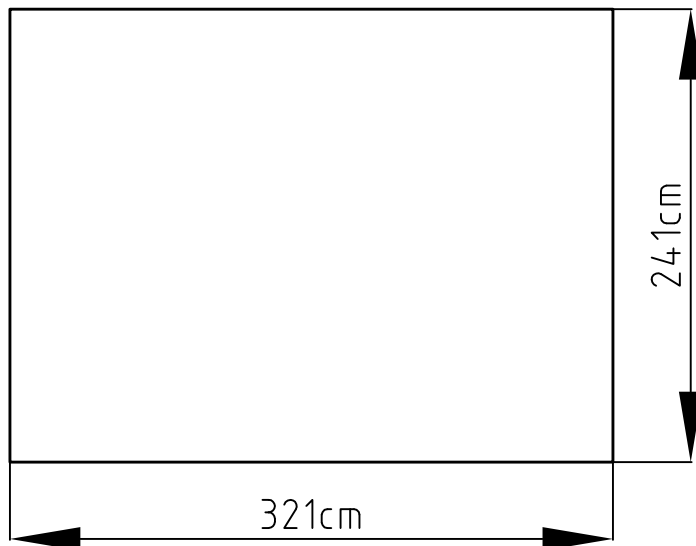
Care & Maintenance:

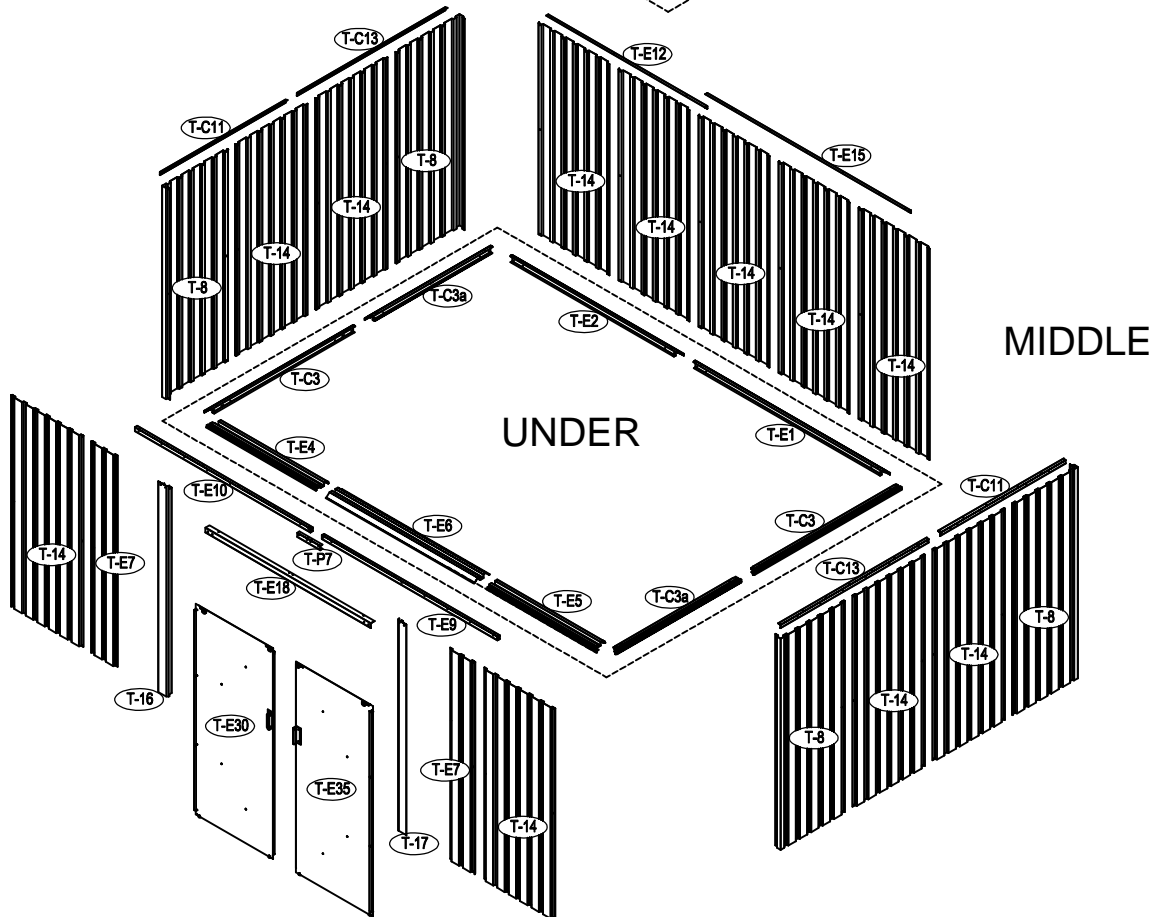
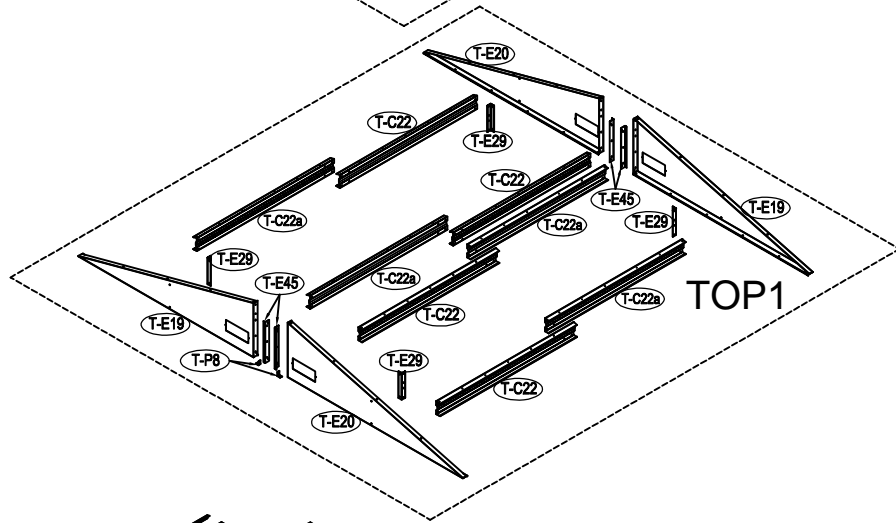
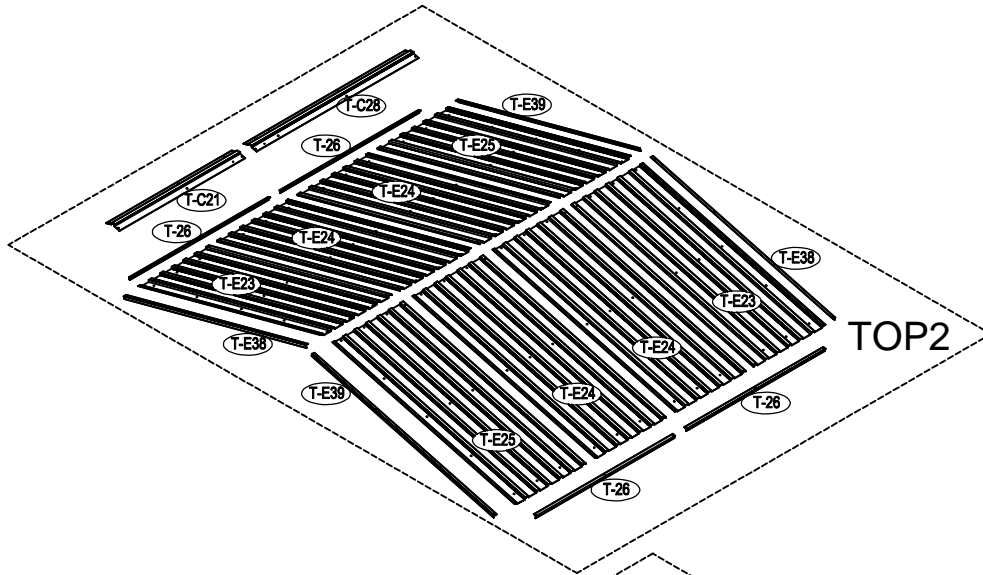
1. Keep the shed clean with soft cloth, use water if necessary.
2. Keep the door tracks clear of dirt and other stuff that prevent them from sliding easily.
3. Clean the snow with necessary tools to make sure it is safe to enter into.
4. The shed is not made for living but storing stuff.
5. Please add some oil on the top and bottom door sliding channel to make door slides smoothly.

Size of S1001F



Area of installation requirement:





NO.	IMAGE	mm	QTY	NO.	IMAGE	mm	QTY
UNDER				T-C21		1100	x1
T-E1		1702	x1	T-C28		1417	x1
T-E2		1502	x1	DOOR			
T-C3		1302	x2	T-E30		1595	x1
T-C3a		1102	x2	T-E35		1595	x1
T-E4		960	x1	T-31		1535	x2
T-E5		960	x1	T-E32		954	x4
T-E6		1295	x1	T-E33		651	x1
MIDDLE				T-E34		651	x1
T-E7		1600	x2	T-E36		651	x1
T-8		1600	x4	T-E37		651	x1
T-14		1600	x11	ANNEX			
T-E9		1532	x1	T-P1			x4
T-E10		1532	x1	T-P2			x4
T-C11		1096	x2	T-P3			x4
T-C13		1300	x2	T-P4			x2
T-E12		1390	x1	TP5A			x4
T-E15		1780	x1	T-P6			x2
T-16		1595	x1	T-P7		200	x1
T-17		1595	x1	T-P8			x2
T-E18		1440	x1	T-E40			x240
TOP 1				T-E41		ST4x10	x290
T-E19		1524.5	x2	T-E42		ST4x16	x24
T-E20		1524.5	x2	T-E43		M4x10	x88
T-C22		1200	x4	T-E44			x106
T-C22a		1200	x4				
T-E29		200	x4				
T-E45		310	x4				
TOP 2							
T-E23		1652	x2				
T-E24		1652	x4				
T-E25		1652	x2				
T-26		1216	x4				
T-E38		1650	x2				
T-E39		1650	x2				

NOTE:It is important that these instructions are followed step by step.

Metal Shed must be installed on a level wooden platform or a level concrete foundation

Wooden platform is extra and is not included.
Don't install under windy conditions.

Wooden Platform

The following are a list of lumber and sizes you will need.

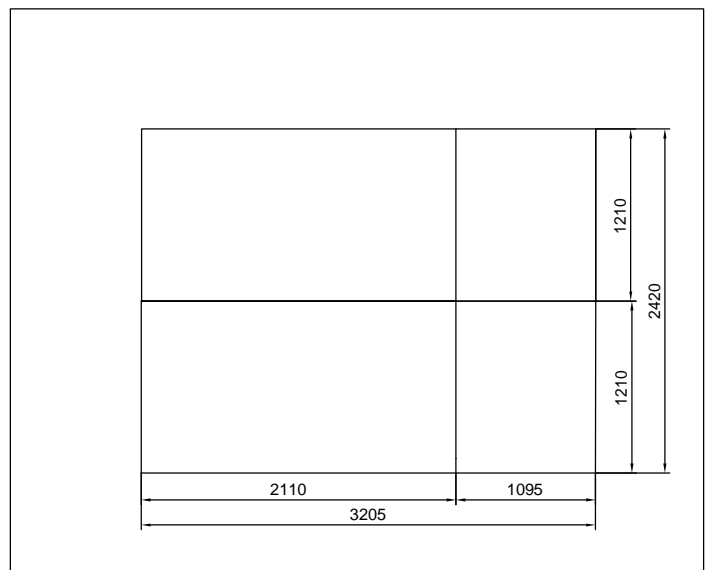
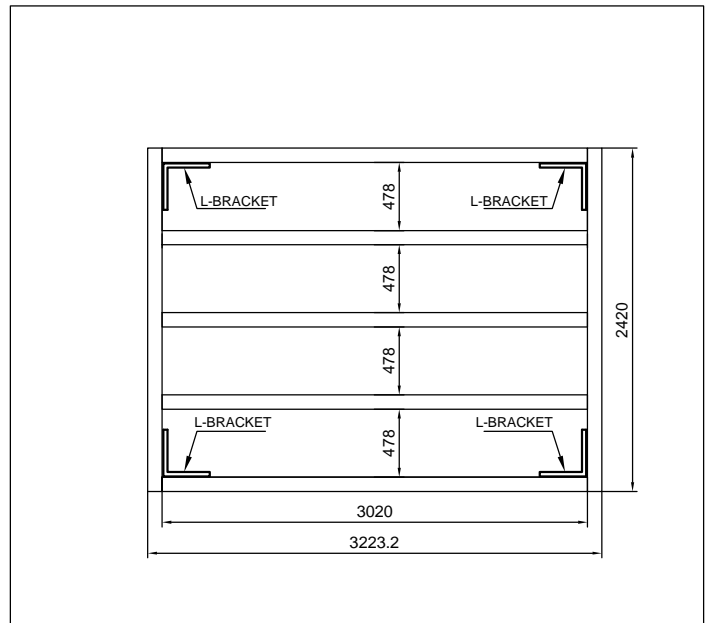
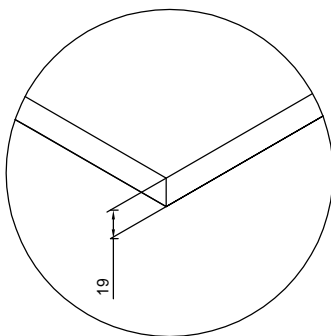
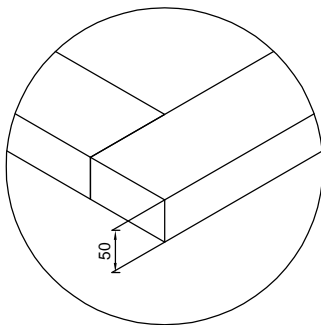
Pressure Treated-Wood Studs:

- 50mmX101.6mmX3020mm.....(6)
- 50mmX101.6mmX2420mm.....(2)

Exterior Grade (CDX-19mm) plywood

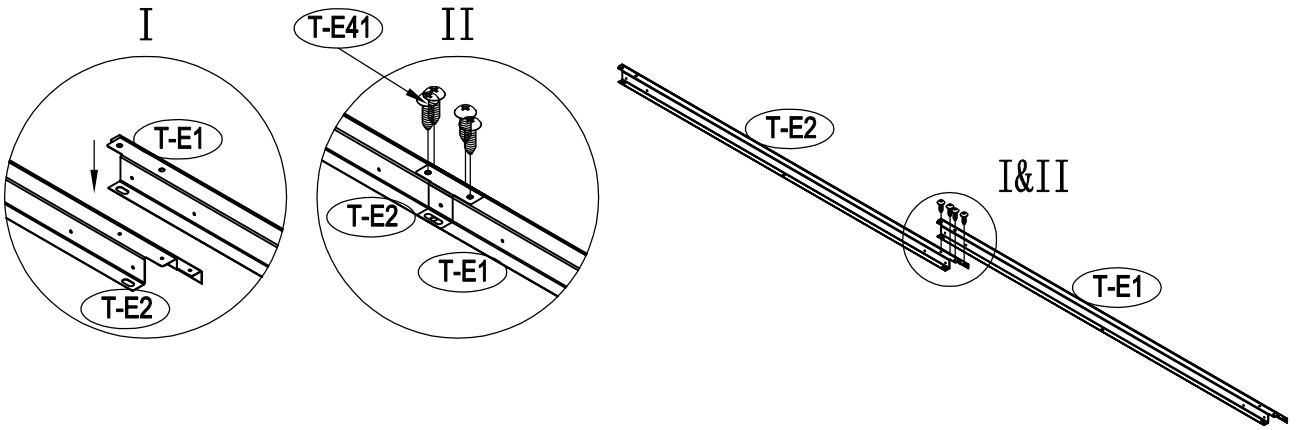
- 19mmX1210mmX1095mm.....(2)
- 19mmX1210mmX2110mm.....(1)

We recommend to clear your metal shed of snow after each snowfall.

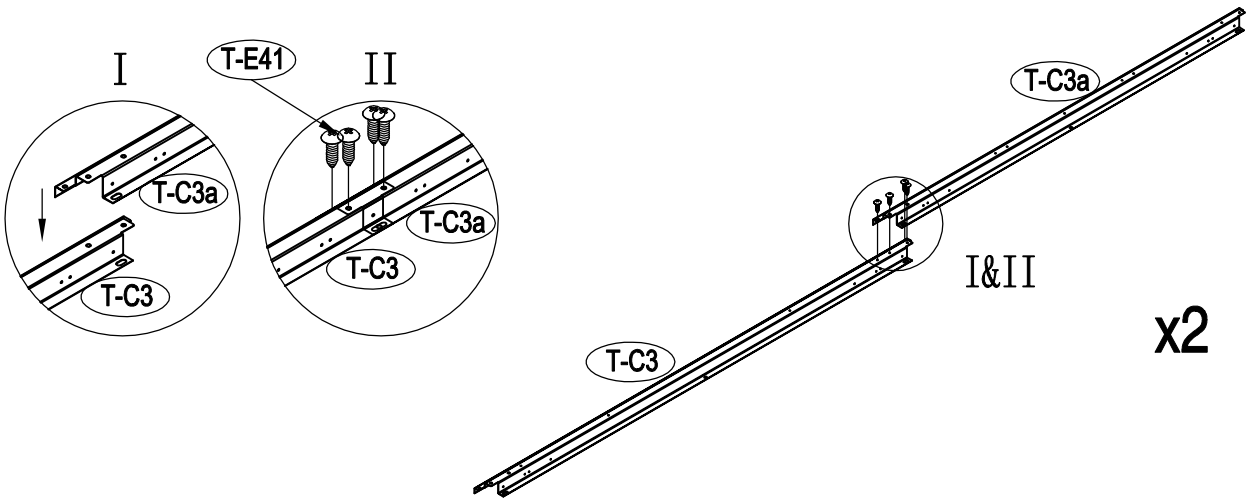


Important: Use hand gloves to prevent injury.

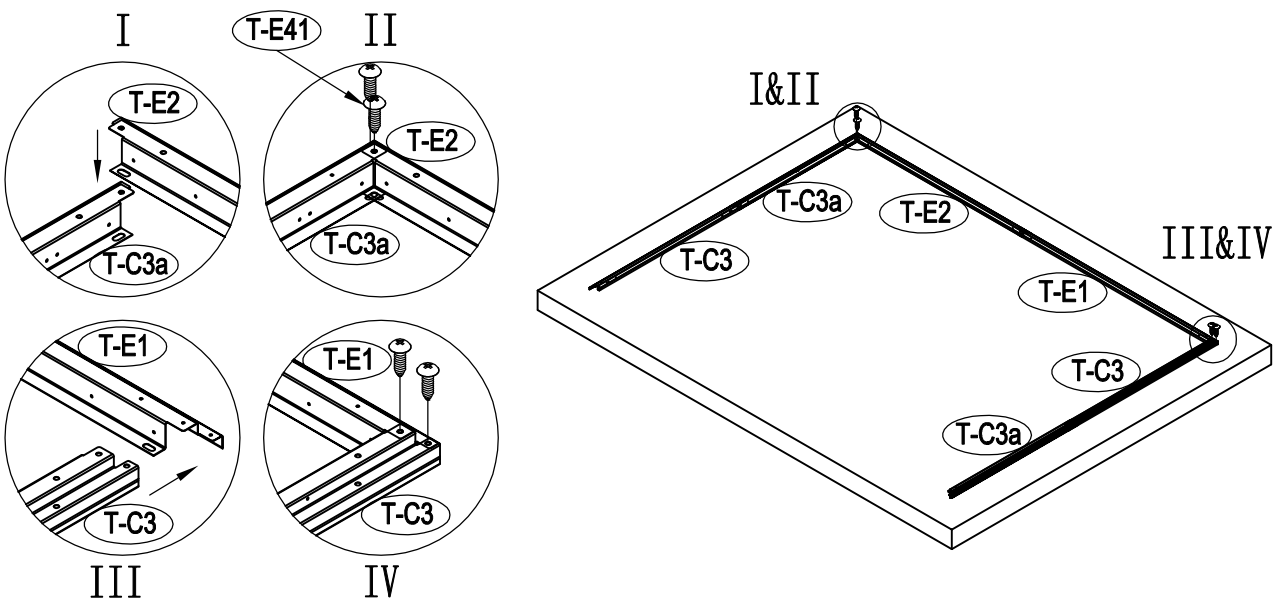
1

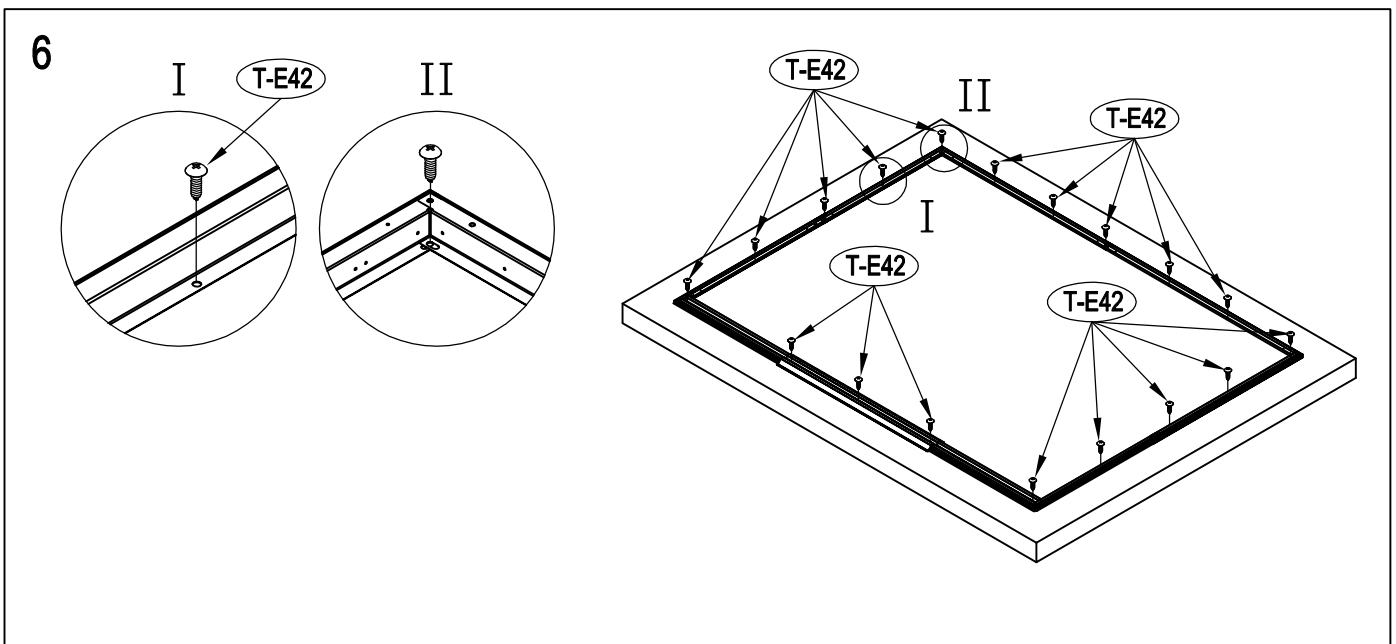
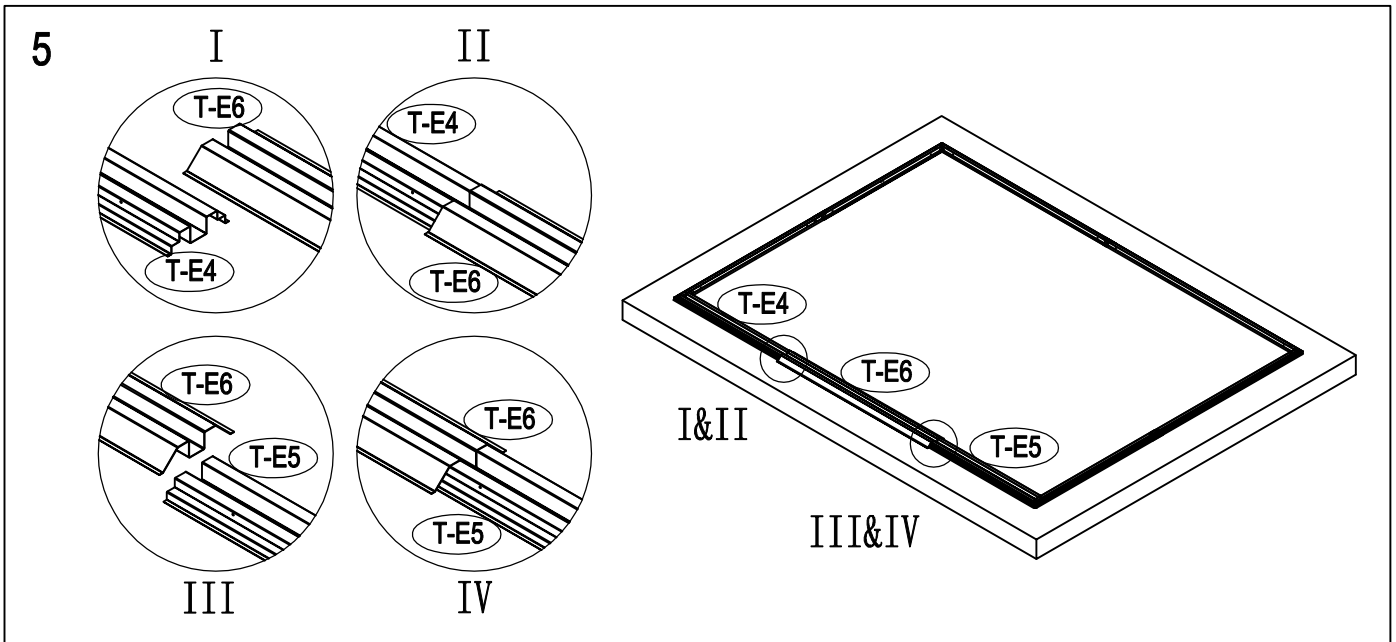
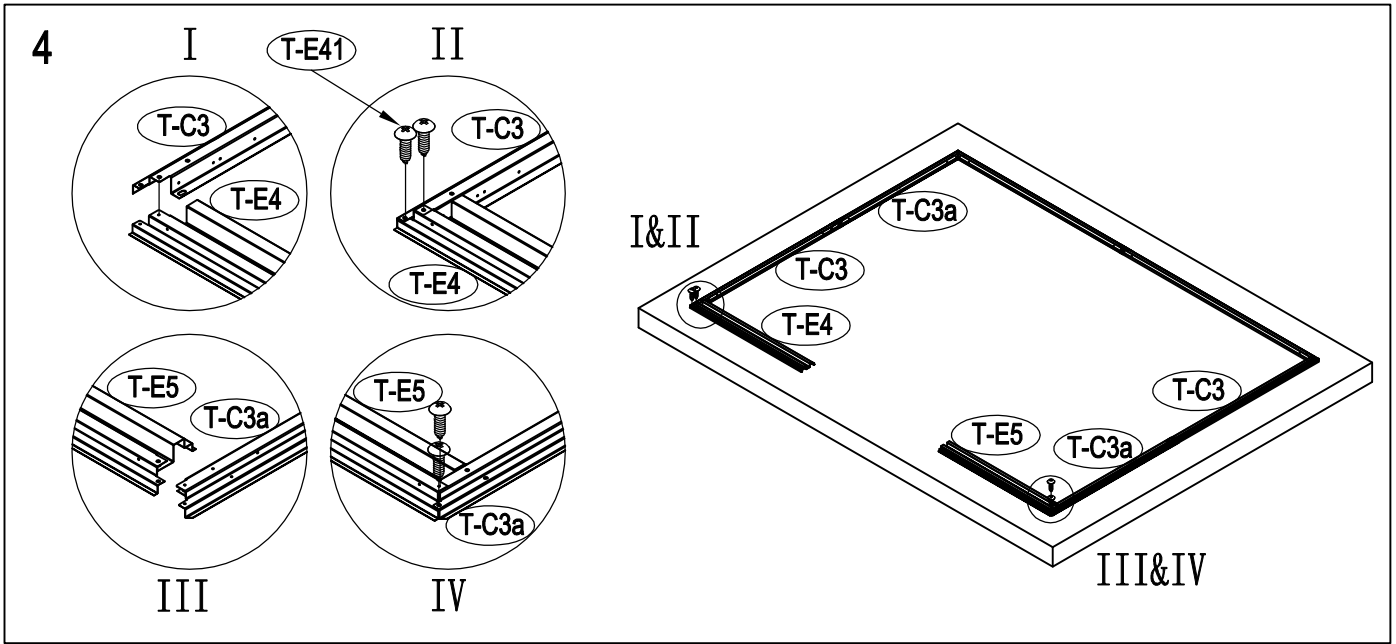


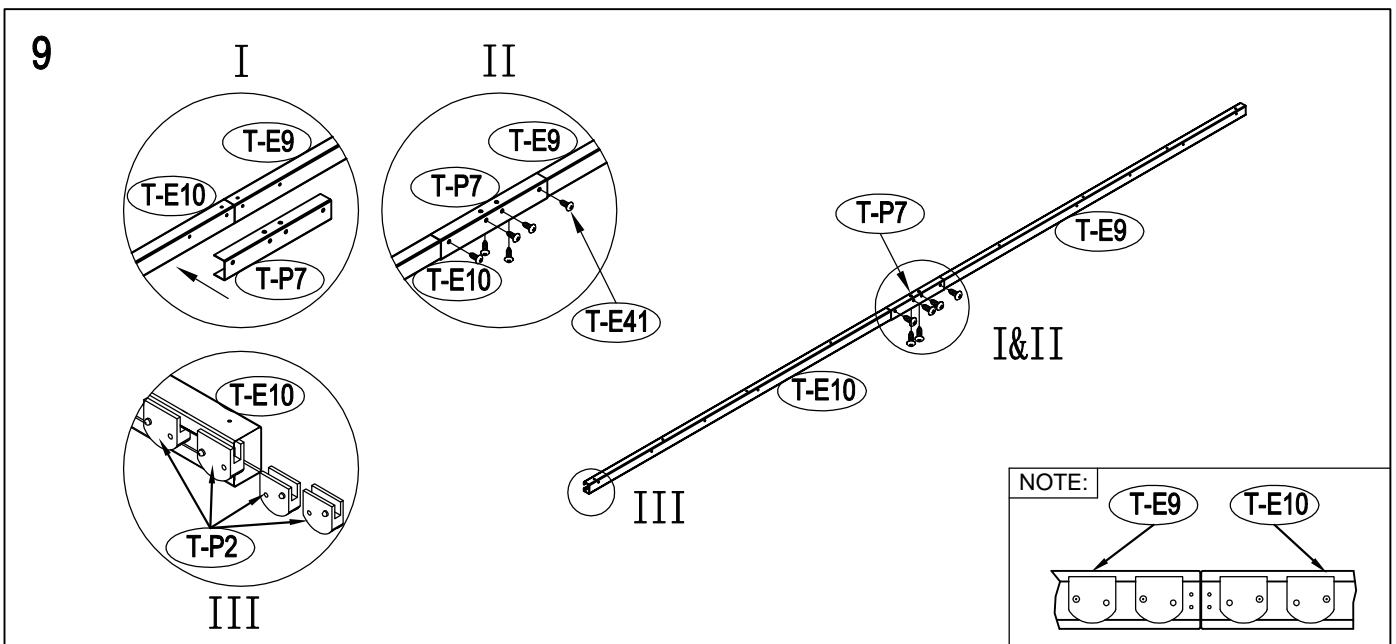
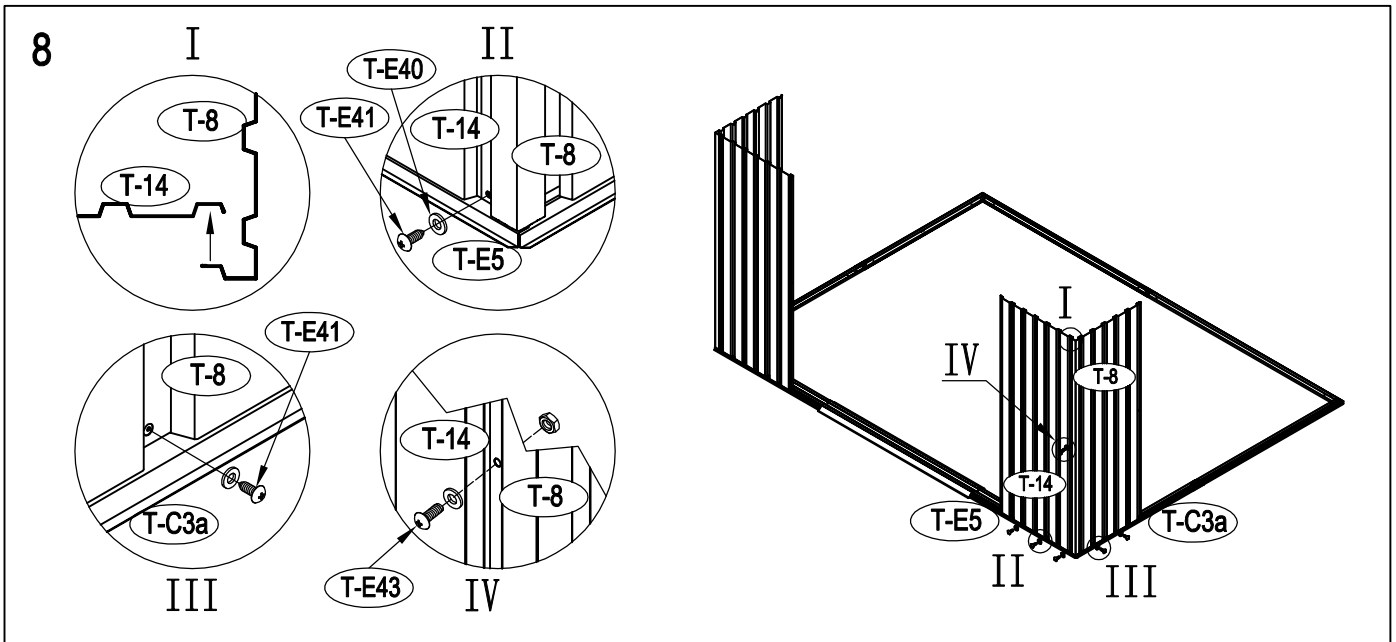
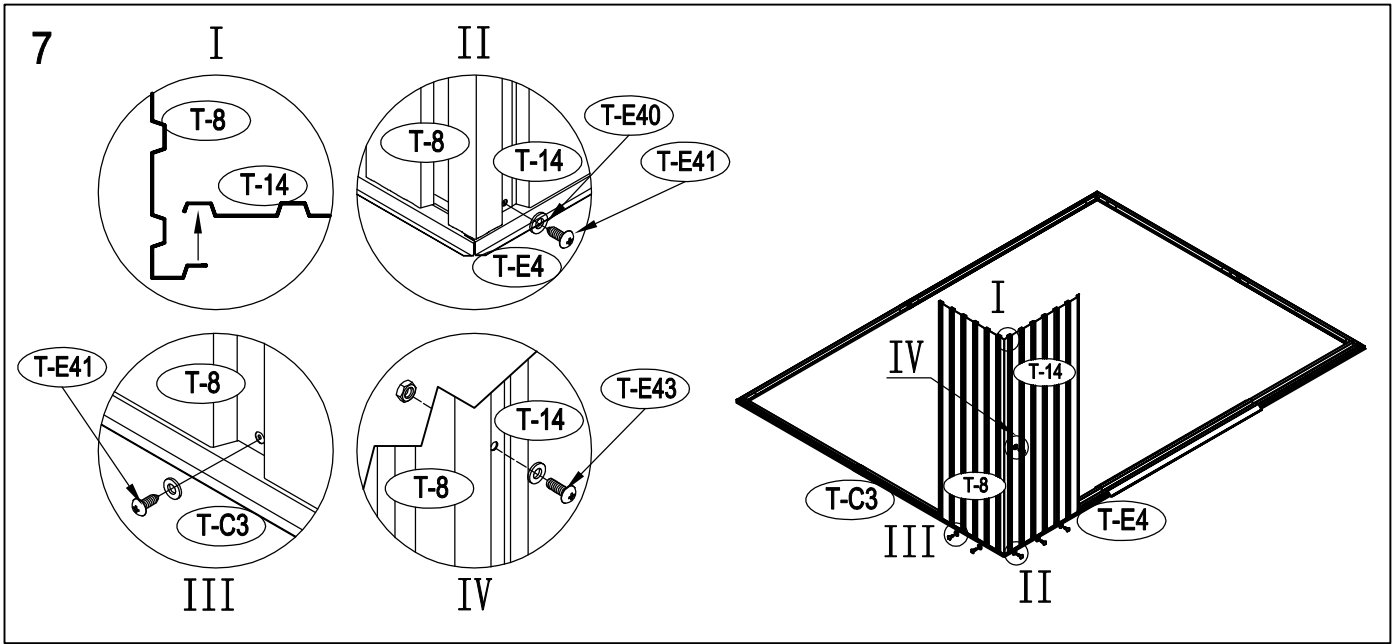
2

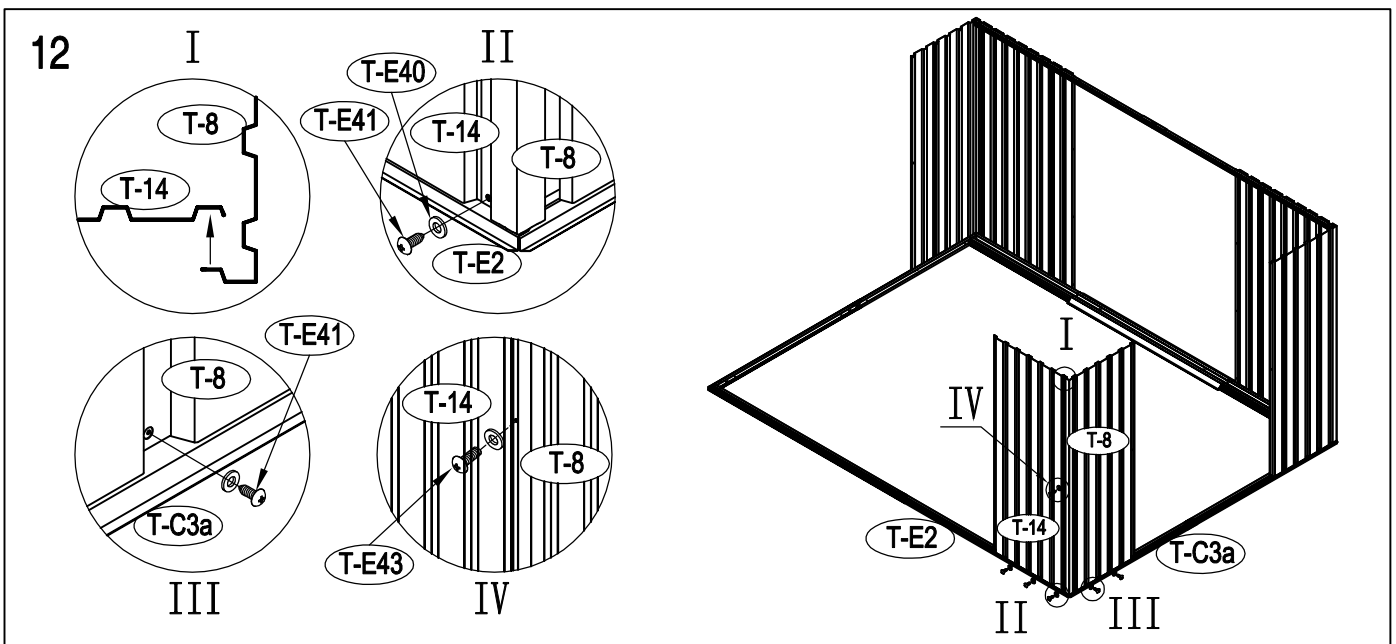
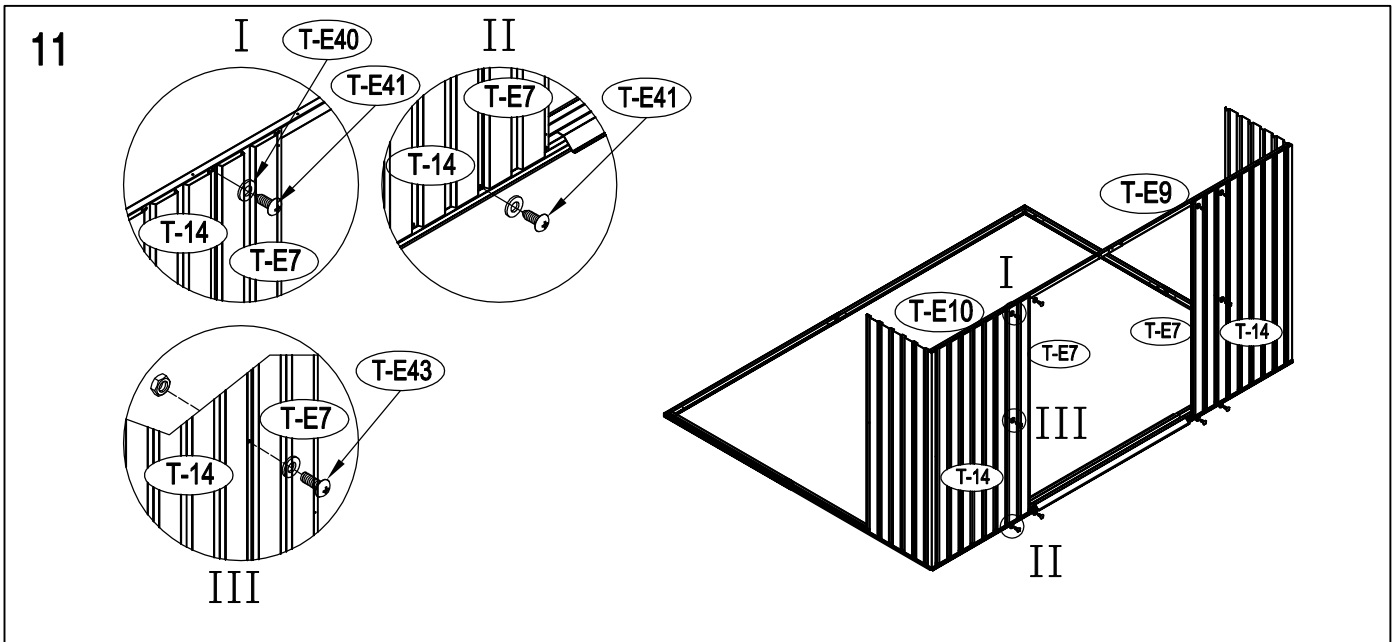
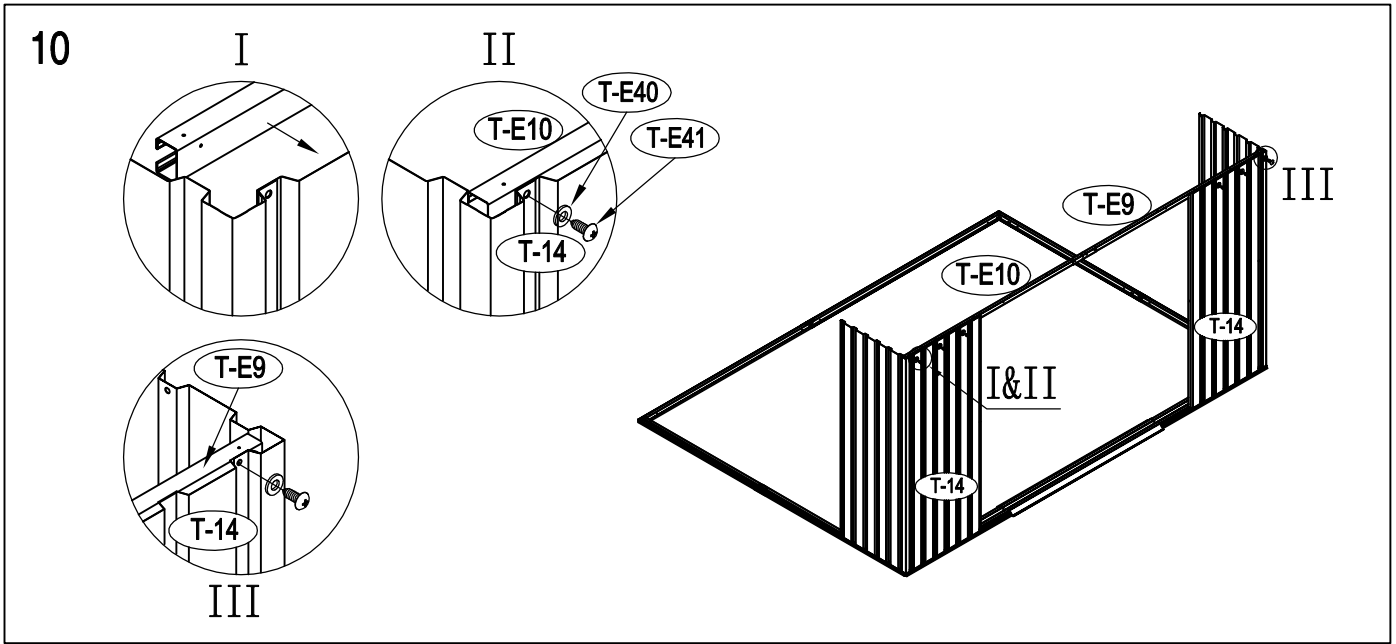


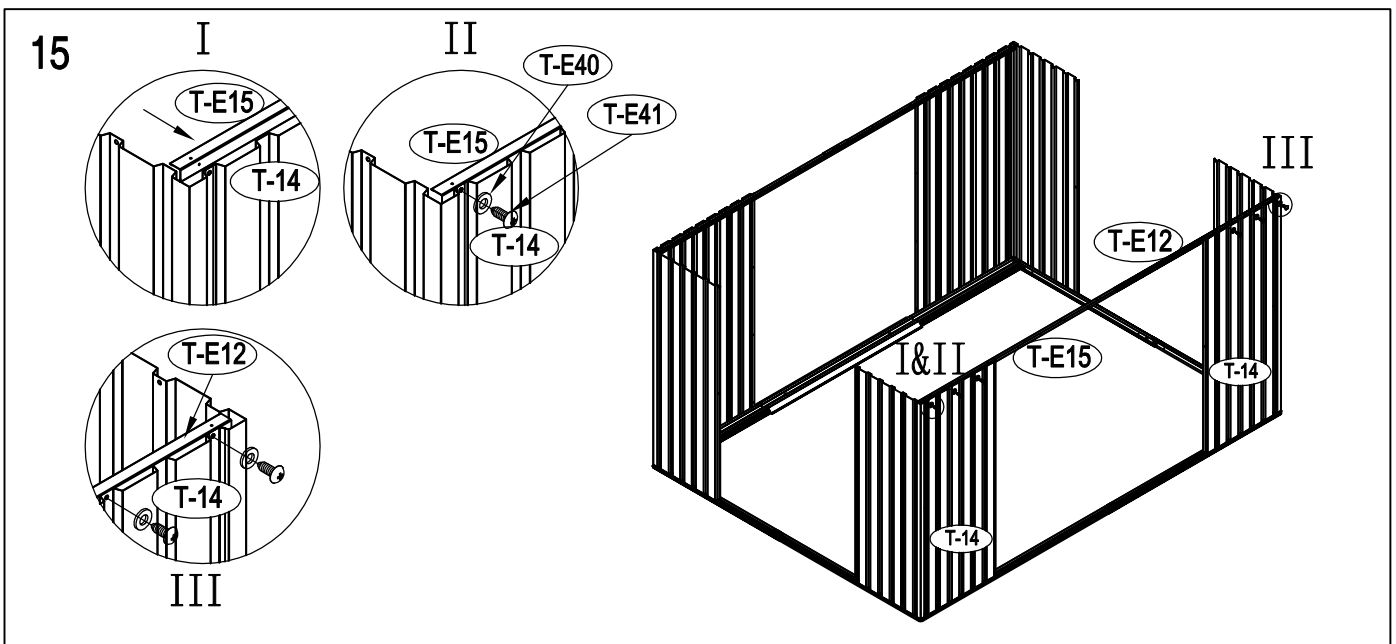
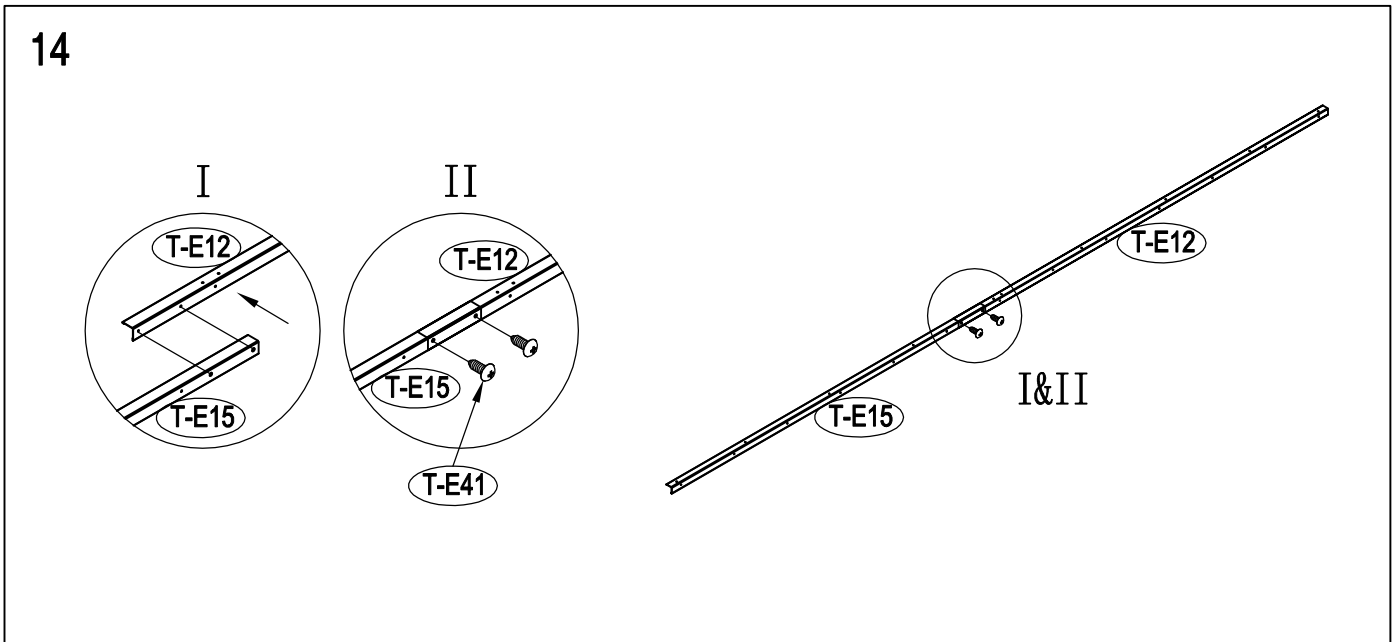
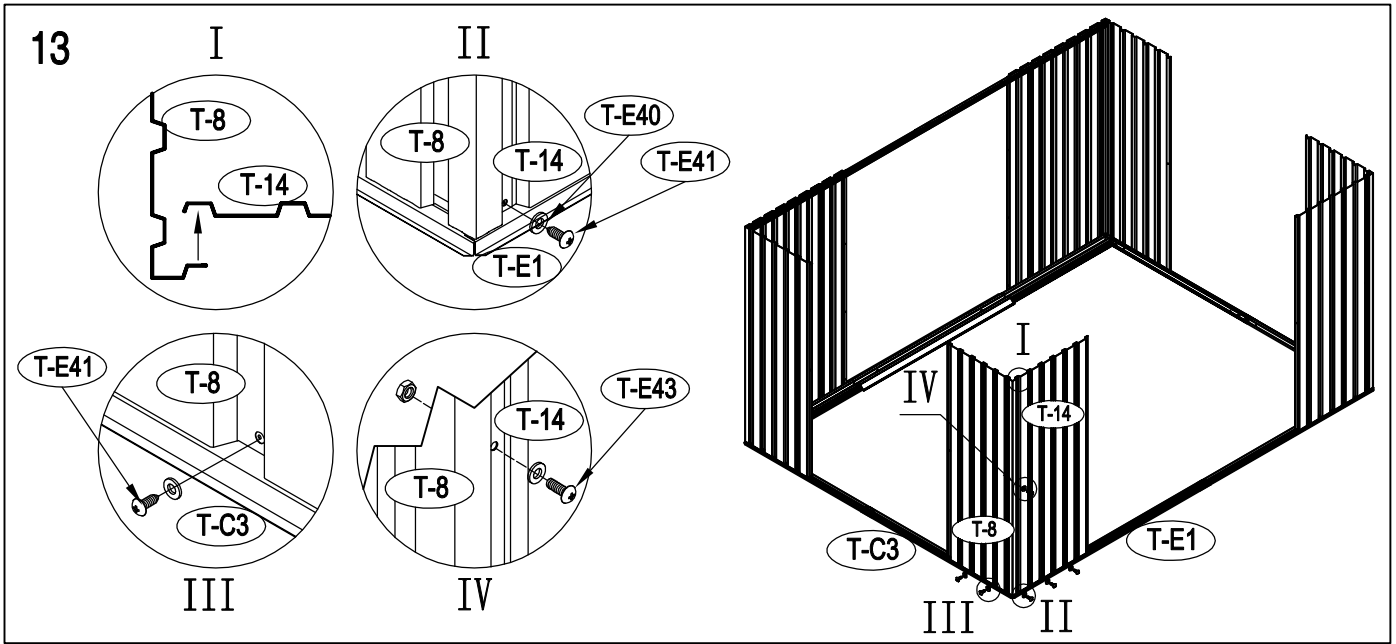
3



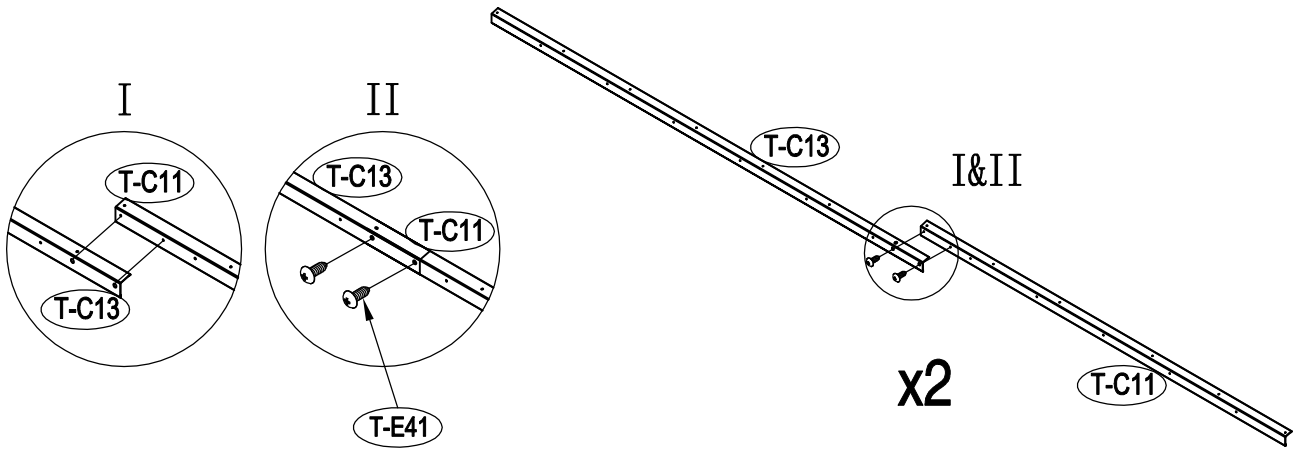




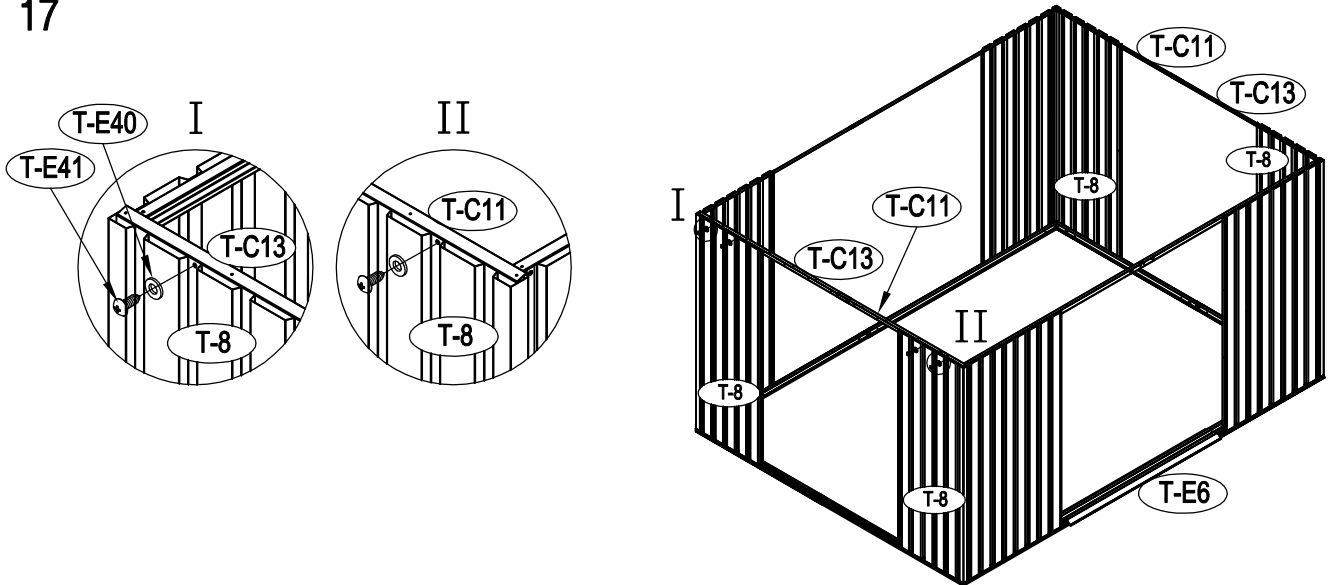




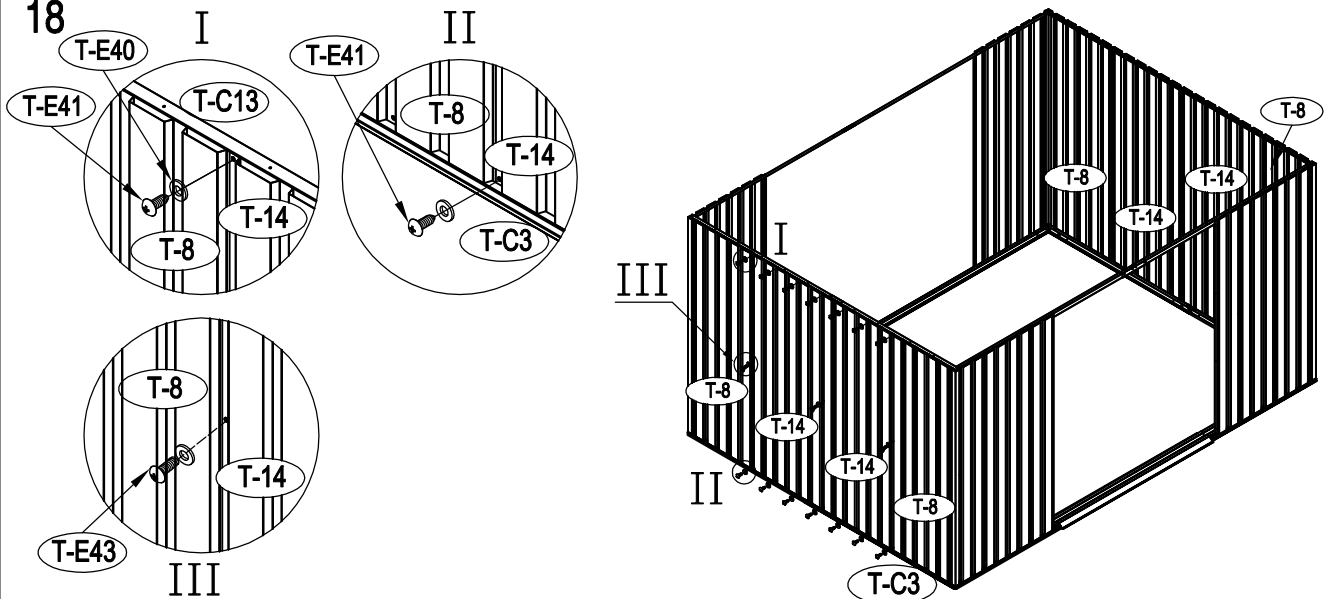
16



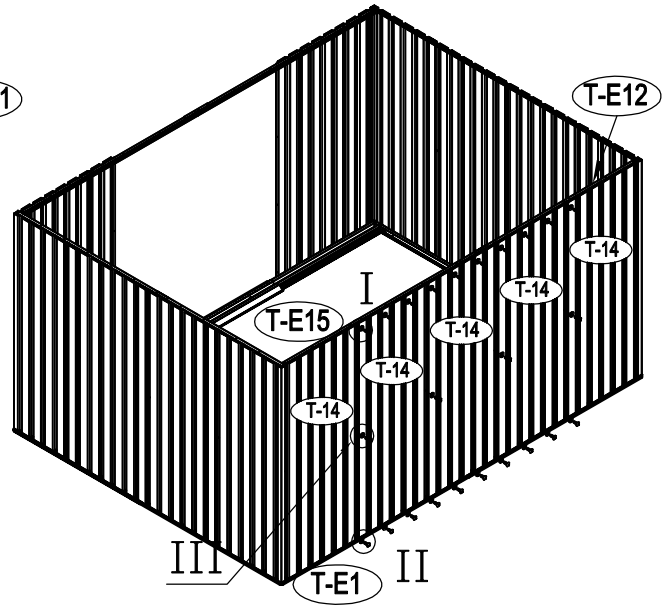
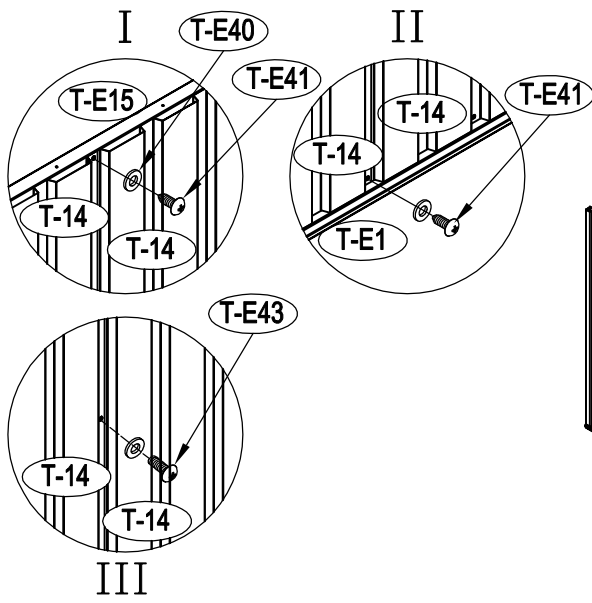
17



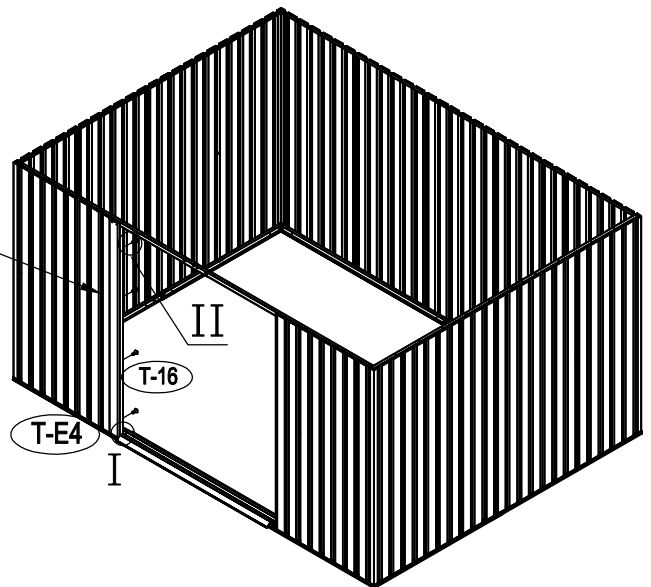
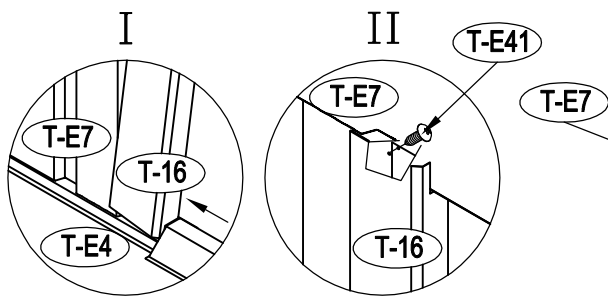
18



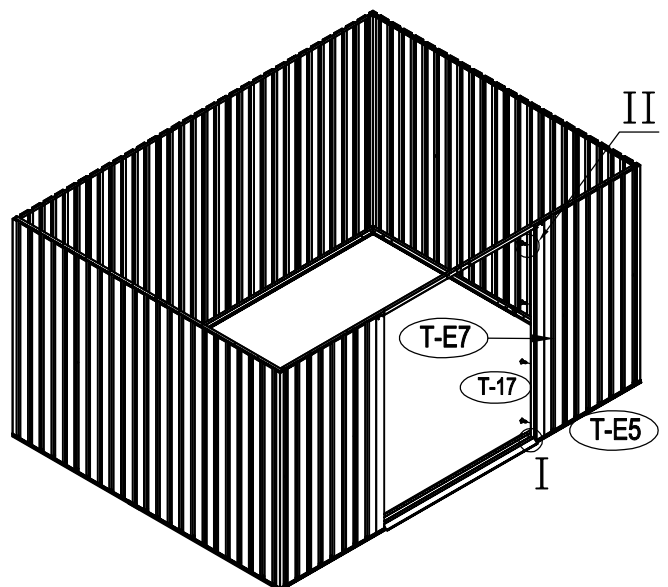
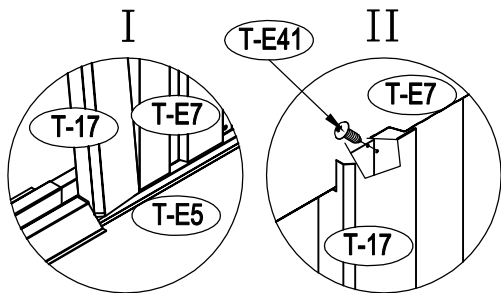
19



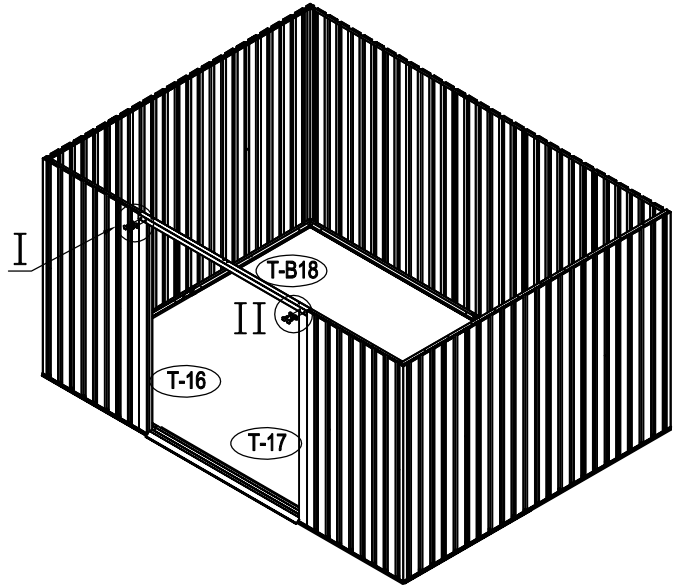
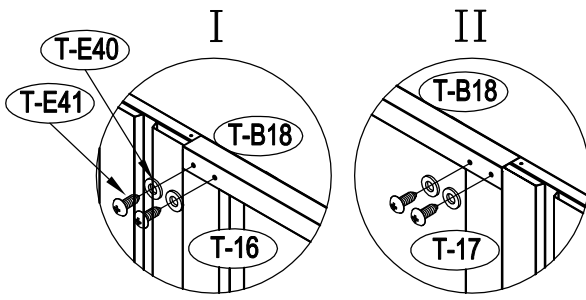
20



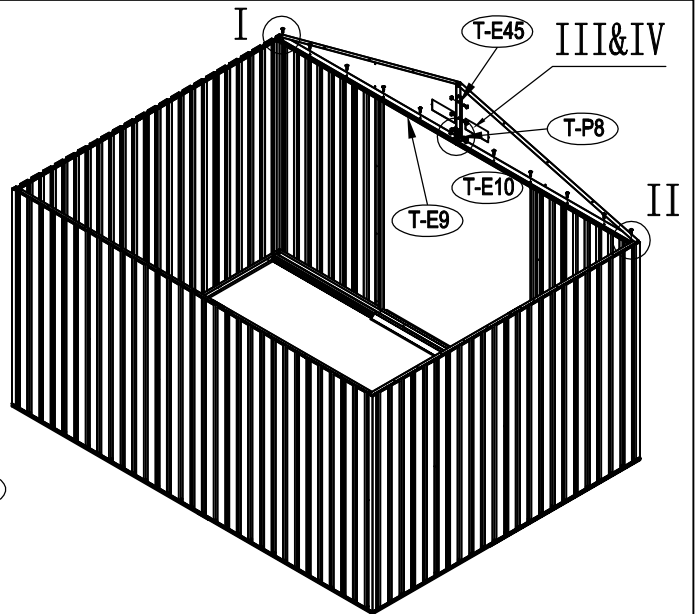
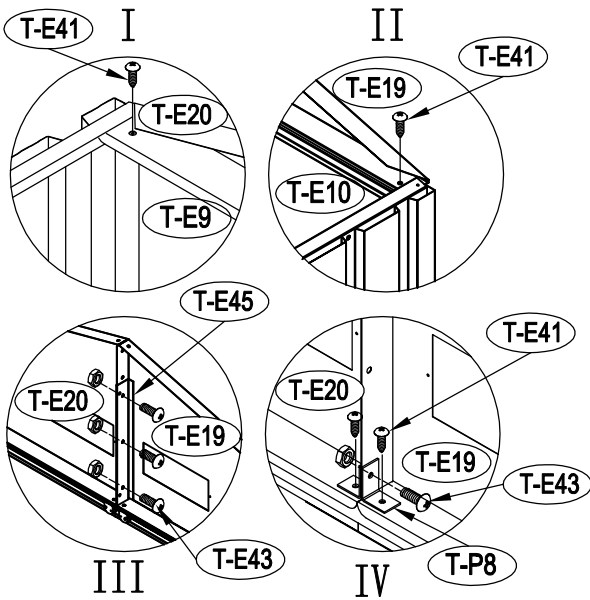
21



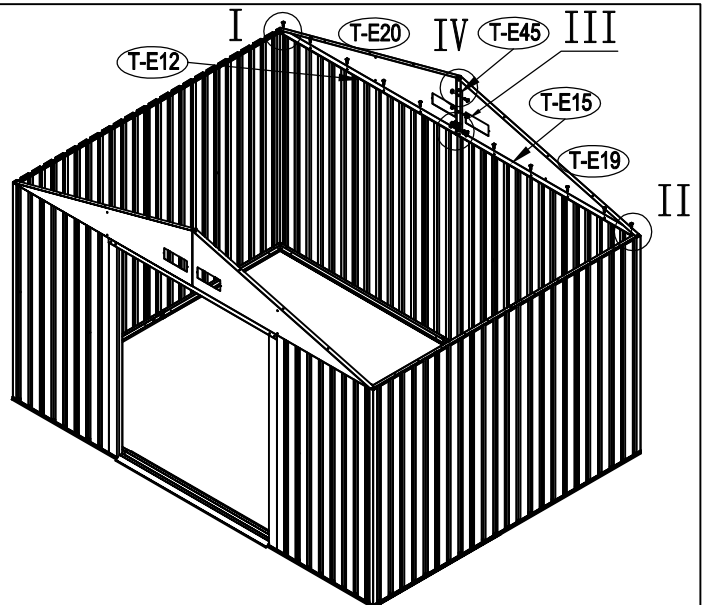
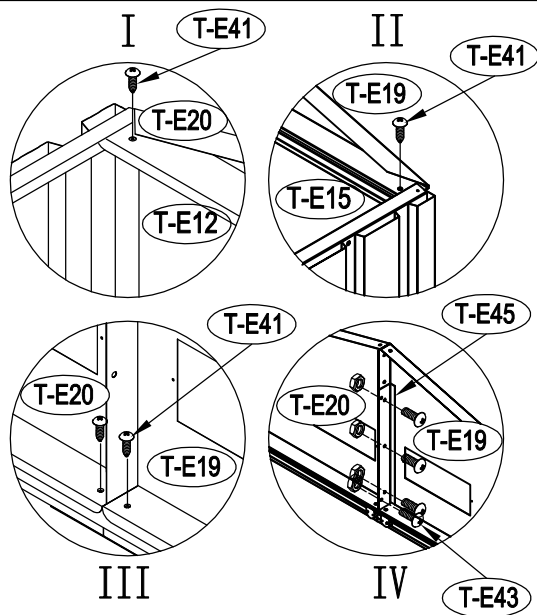
22



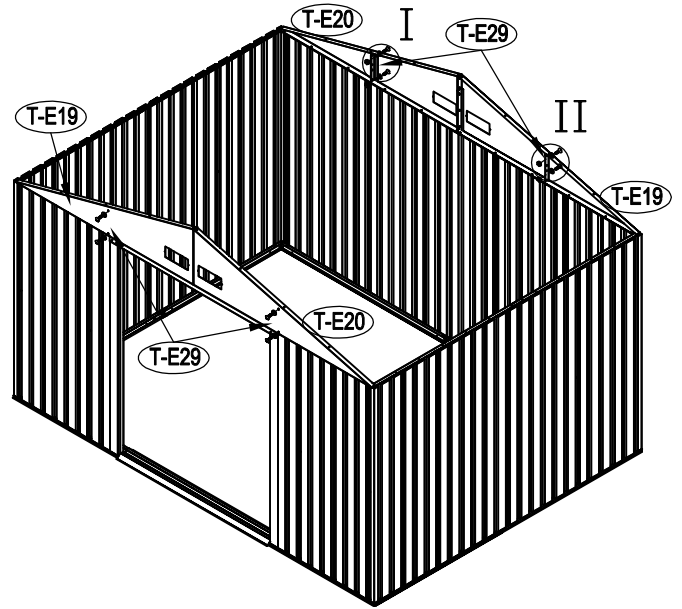
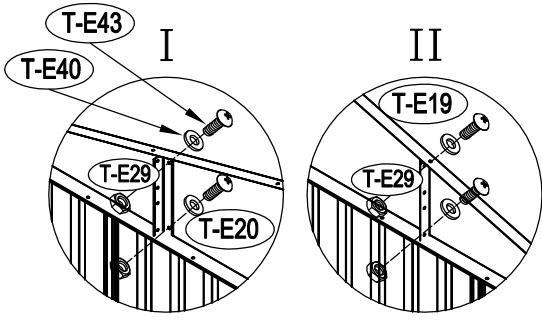
23



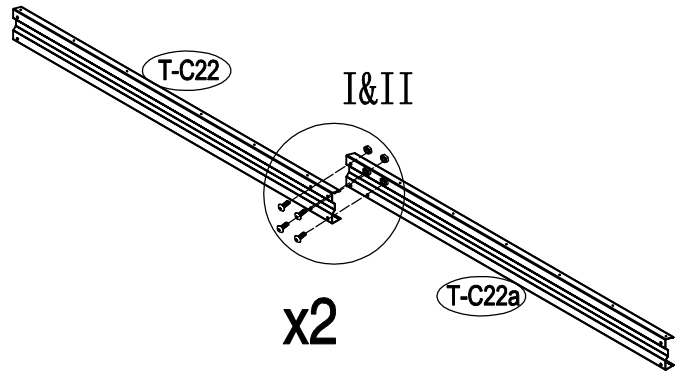
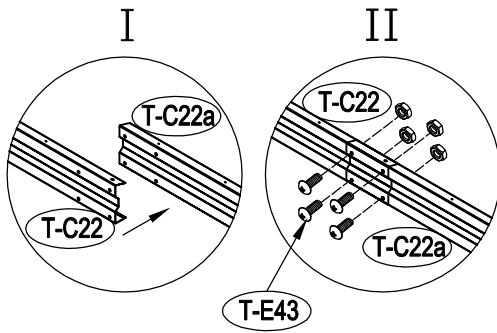
24



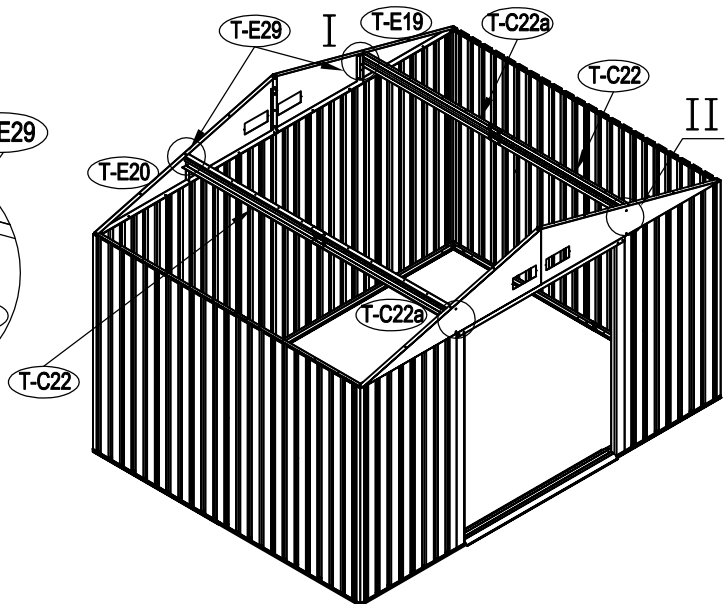
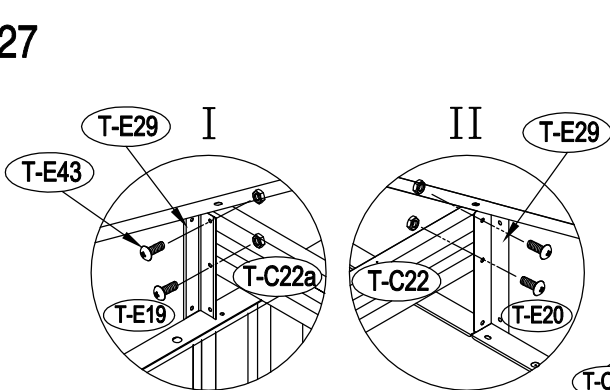
25



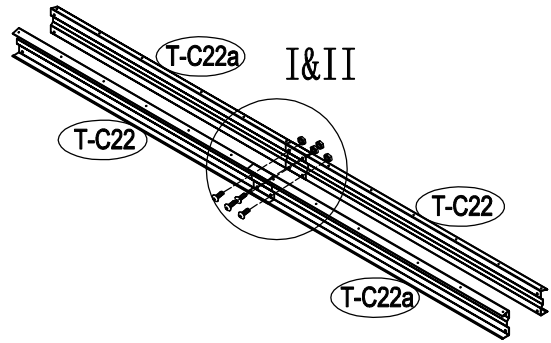
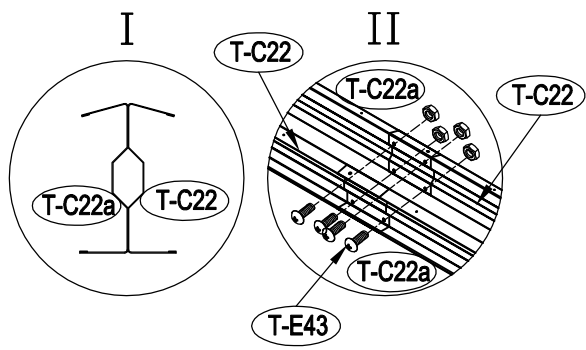
26



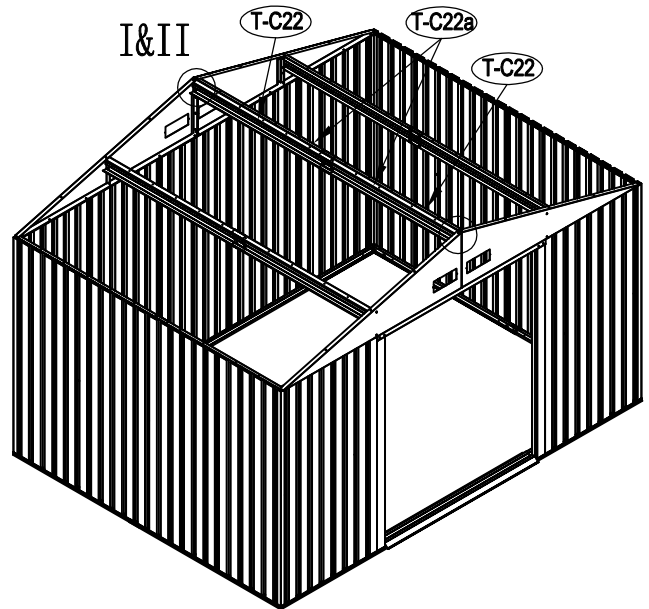
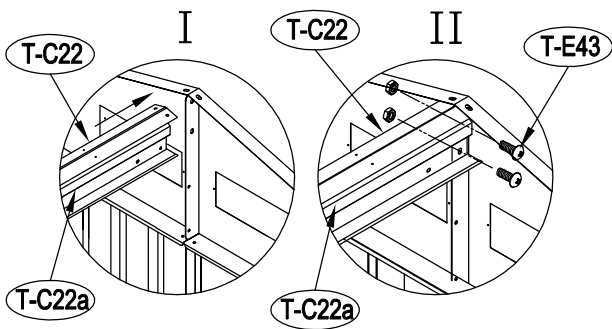
27



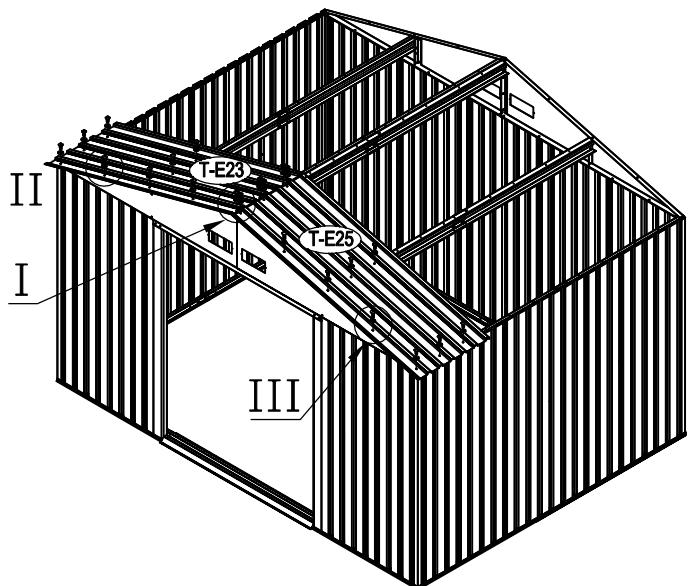
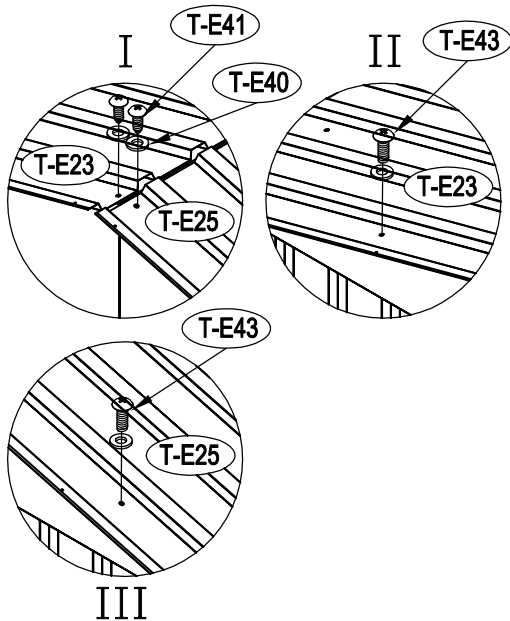
28



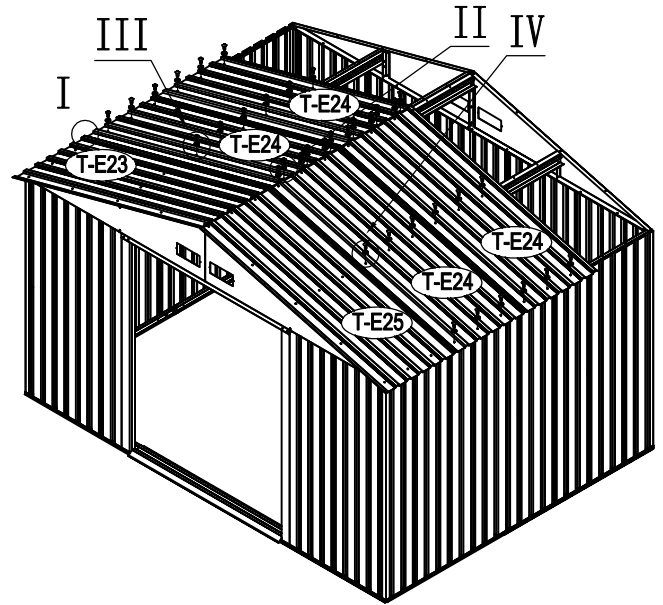
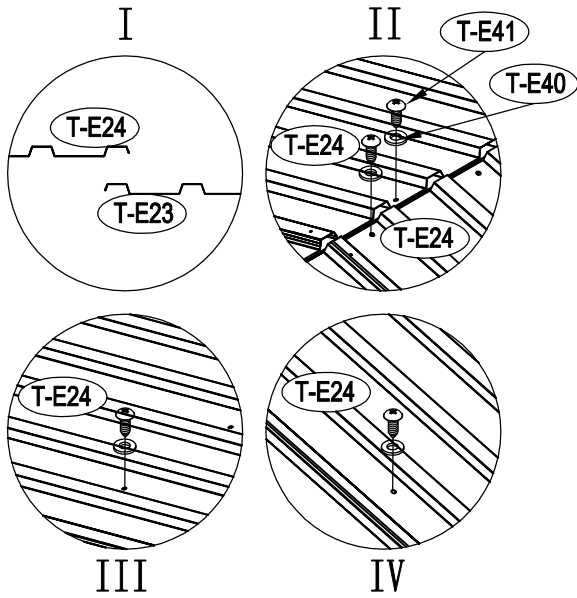
29



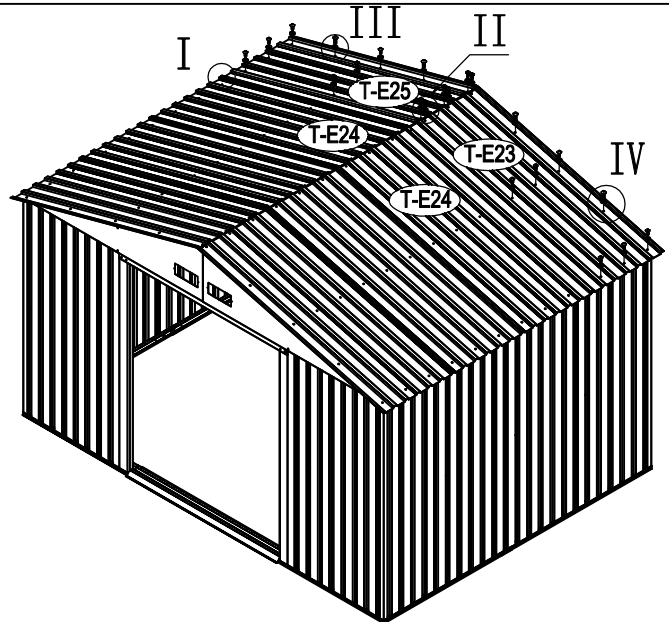
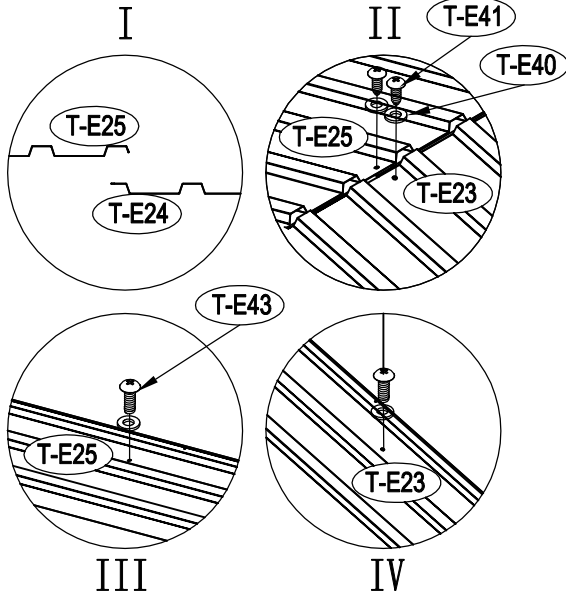
30



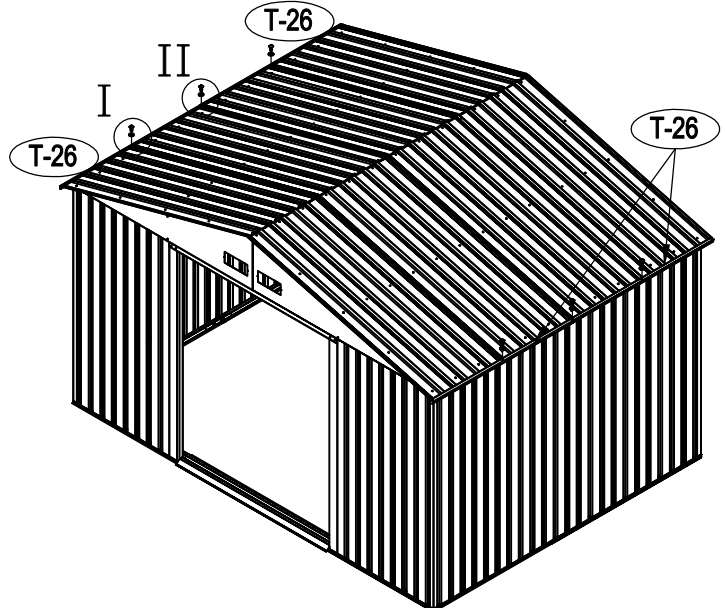
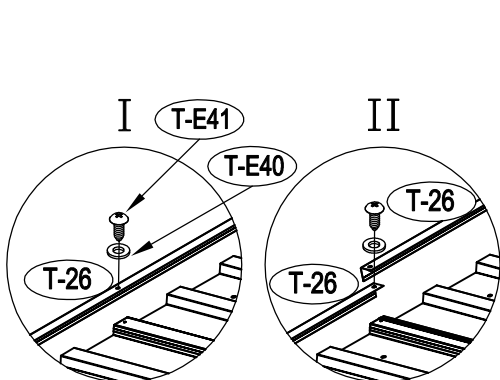
31



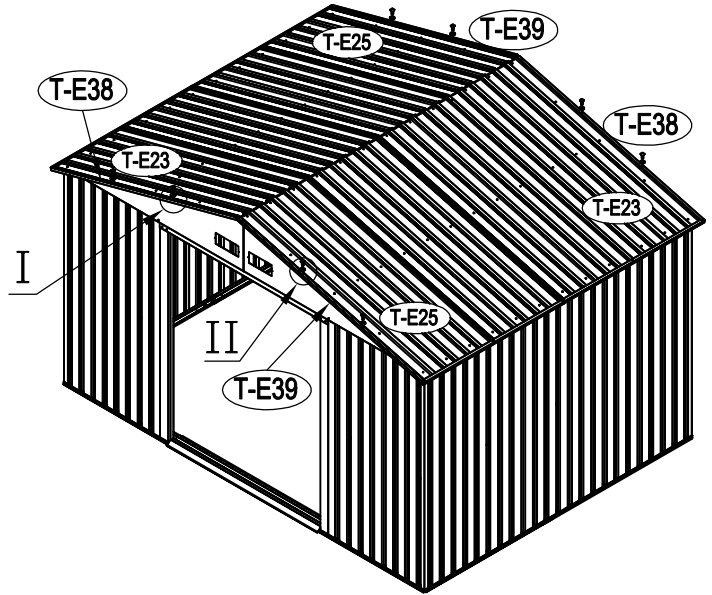
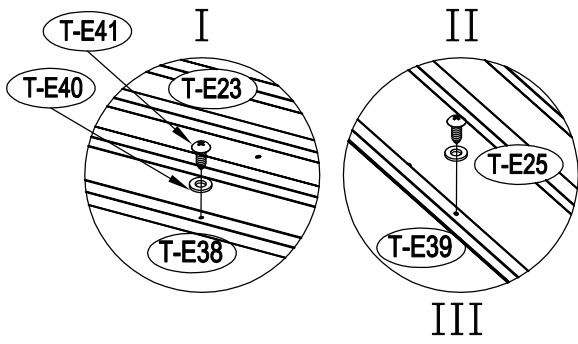
32



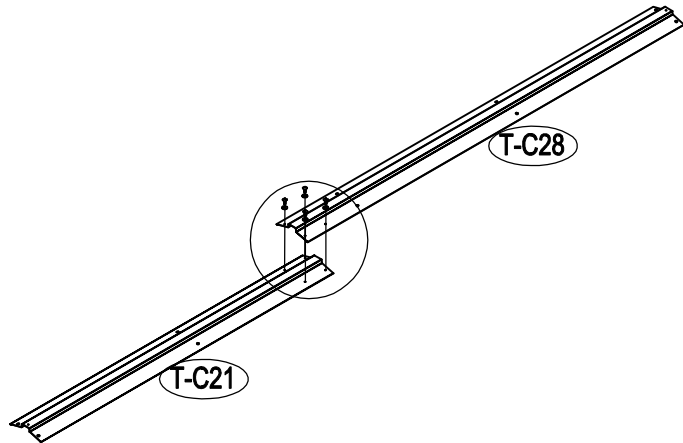
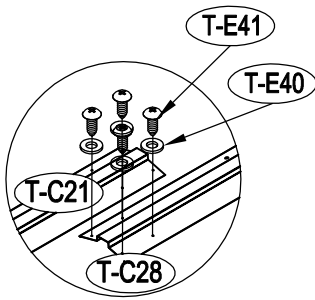
33



34



35



36

