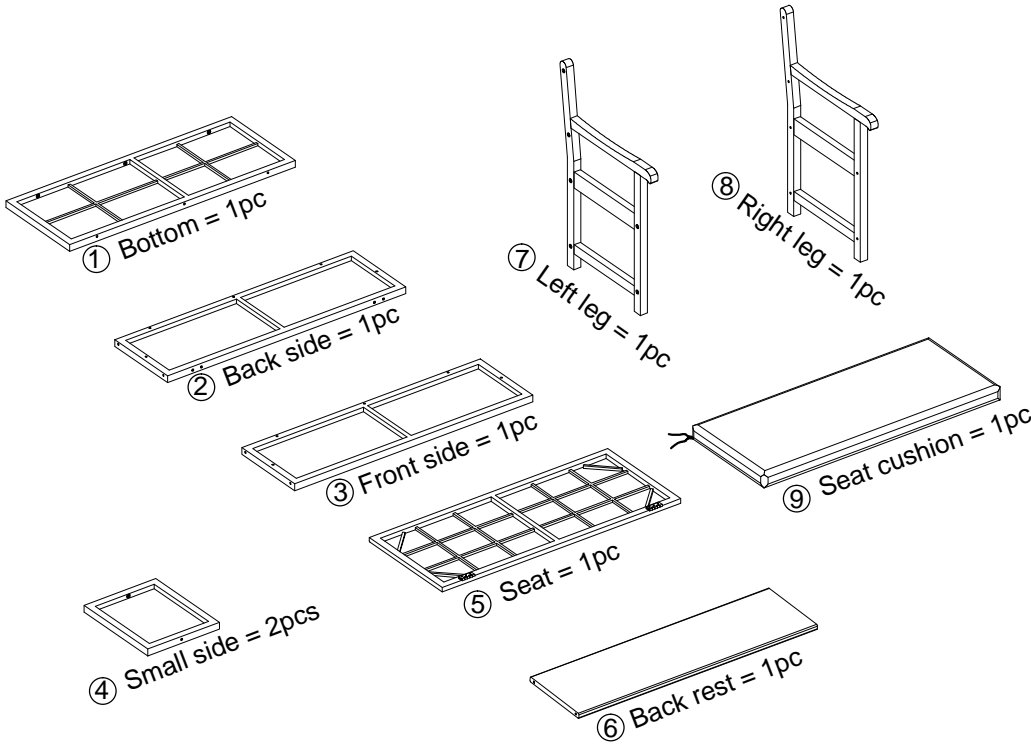



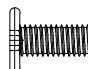
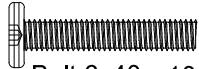


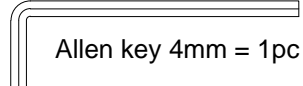
ROWLINSON RATTAN STORAGE BENCH
ASSEMBLY INSTRUCTION

WICKBENCH

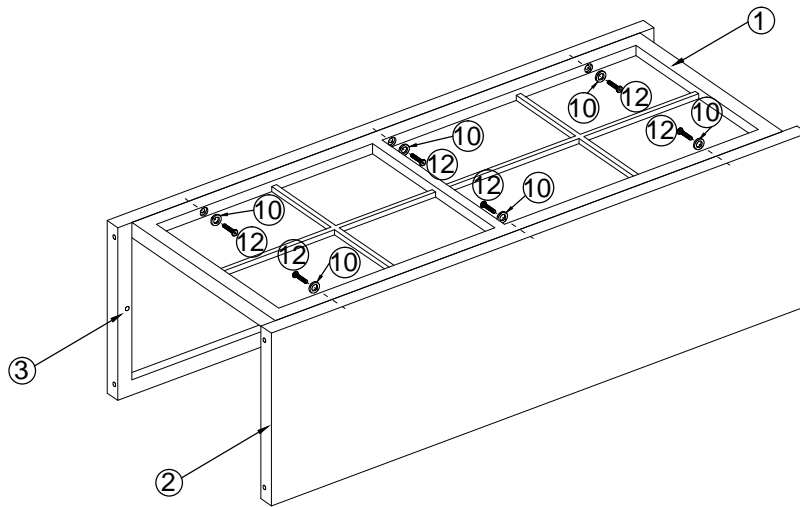
Help Line (Normal Office Hours) 01829 261 121

This pack contains one rattan storage bench.

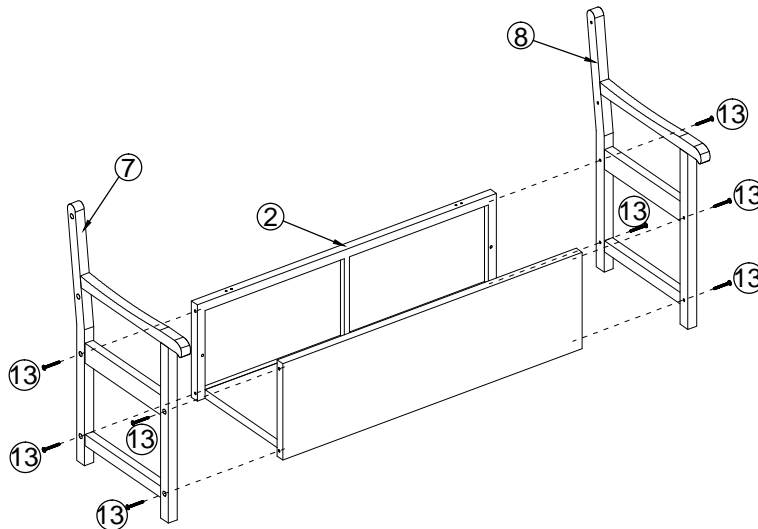


- 10  Washer = 10 pcs
- 11  Bolt 6x15 = 4 pcs
- 12  Bolt 6x40 = 10 pcs
- 13  Bolt 6x50 = 12 pcs
- 14  Plastic plugs = 12 pcs
- 15  Allen key 4mm = 1pc

STEP 1



STEP 2

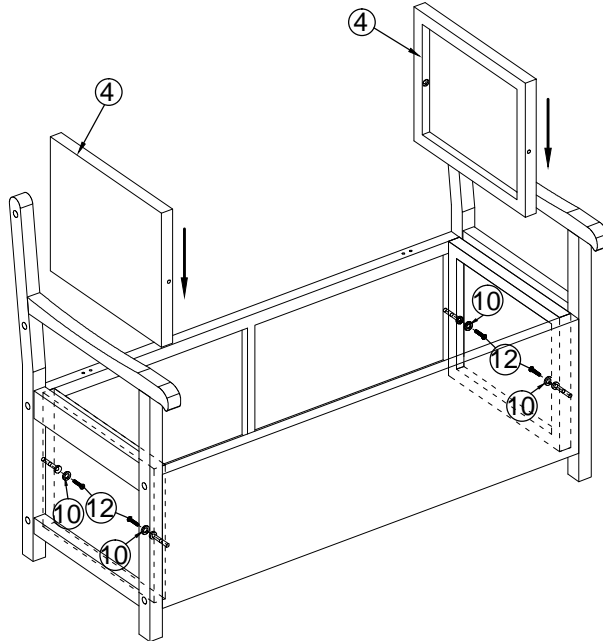


**ROWLINSON RATTAN STORAGE BENCH
ASSEMBLY INSTRUCTION**

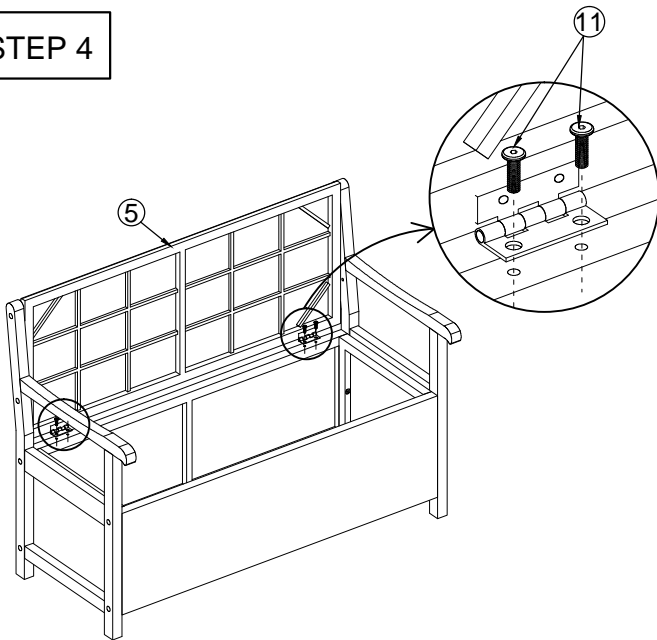
Help Line (Normal Office Hours) 01829 261 121

WICKBENCH

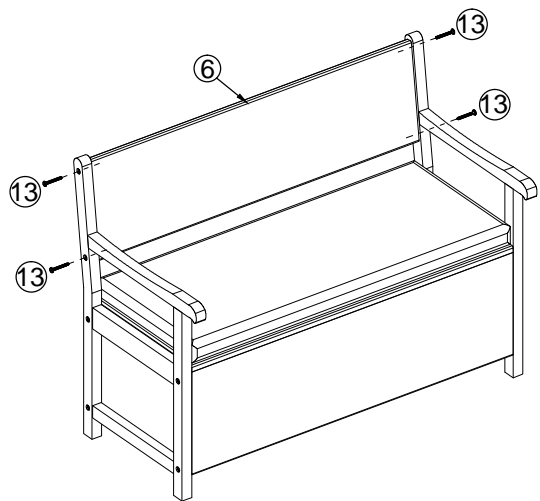
STEP 3



STEP 4



STEP 5



STEP 6

